

Isle 01








ISLE01A



ISLE01B

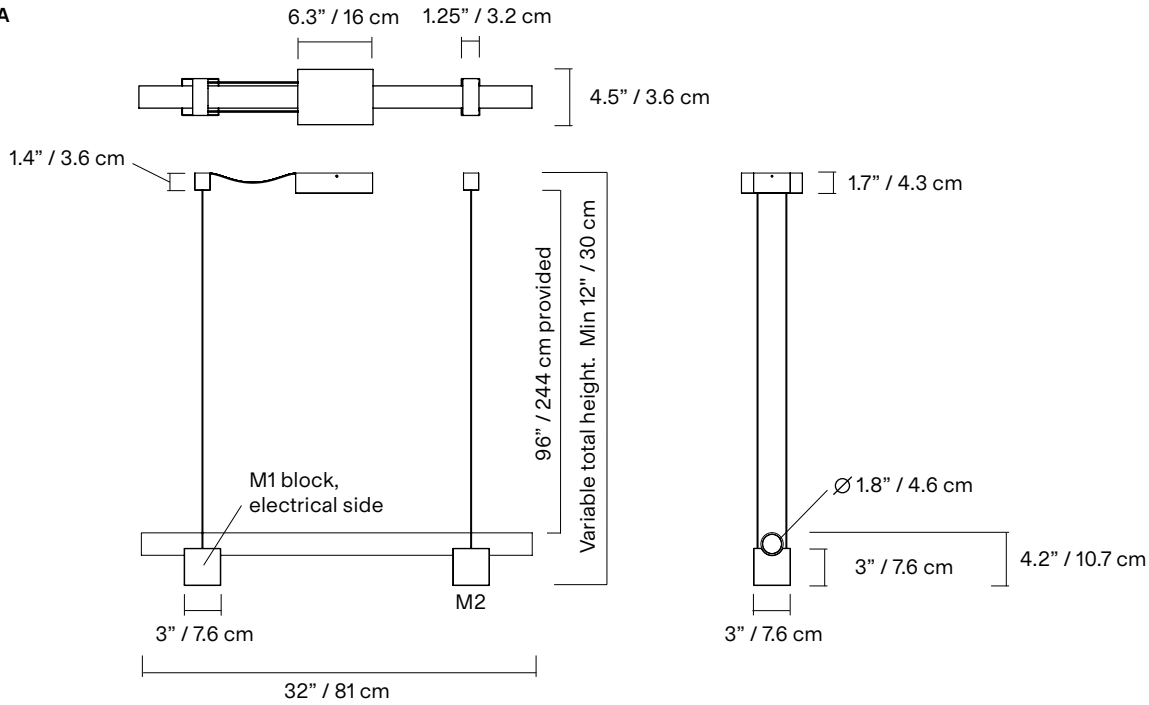
An ode to quiet strength, Isle is a play both on illusion and perception allowing lightness to anchor and foundations to rise. Composed of a delicate glass tube resting on solid-stone and aluminum pedestals and suspended in mid-air like a surreal bridge, Isle is minimal, but never simplistic.

TYPE	Suspension
CONSTRUCTION	Frosted glass tube Polished aluminum or marble block and slab Polished aluminum endcap, canopy and anchors Polyester cord
SPECIFICATIONS	Power consumption: 24W Colour temperature: 3000K 2700K dim to warm 3000K to 2200K dim to warm 2700K to 2200K Lumen output: 2700K - 1314 lm Colour rendering index: ≥ 90 CRI Colour consistency: 3 SDCM Expected lifetime: $\geq 50\ 000$ h
CONTROL	120/277V on/off, 0-10V, or phase dimming 220-240V: On/Off, Phase Dimming, DALI Refer to our recommended list of dimmer models on page 6
CORD LENGTH	Mains/line cords- 120" / 304 cm Non-electrical cords- 96" / 244 cm
WEIGHT	ISL01A- 12lb / 5.4Kg ISL01B- 12lb / 5.4Kg
CERTIFICATIONS	     IP20
WARRANTY	2 years

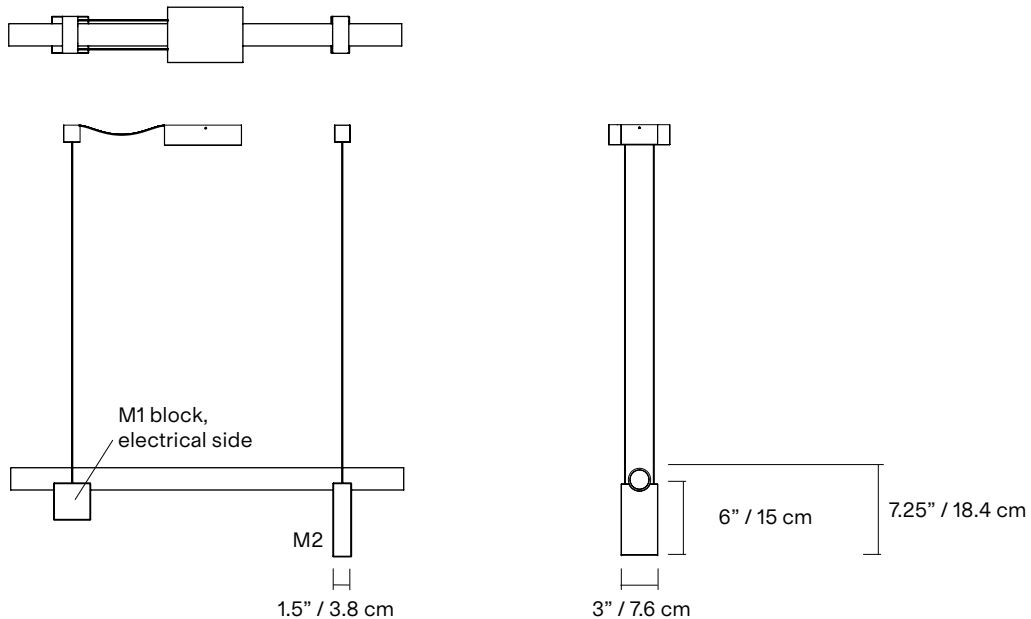
NOTES

- The canopy can be offset from composition.
- Luminaire total height (ceiling to lowest point of luminaire). Luminaire height is adjustable on site. (96" / 244 cm ribbon provided)
Min - 12" / 30 cm
Max - 102" / 259 cm
*For any height outside these parameters, contact Lambert & Fils
- For installation on slanted ceiling, contact Lambert & Fils
- Ceiling anchors can be used as junction boxes for daisy chain. If needed, please inform your representative.
- Dimensions are approximate and may vary slightly

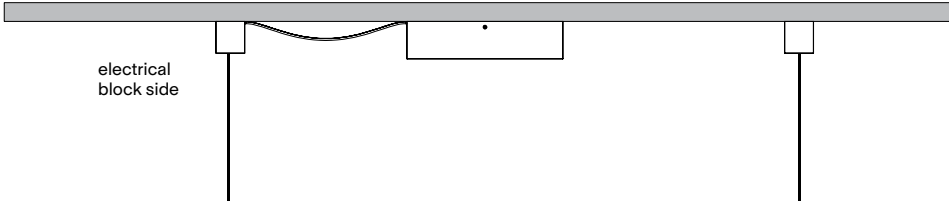
ISLE01A



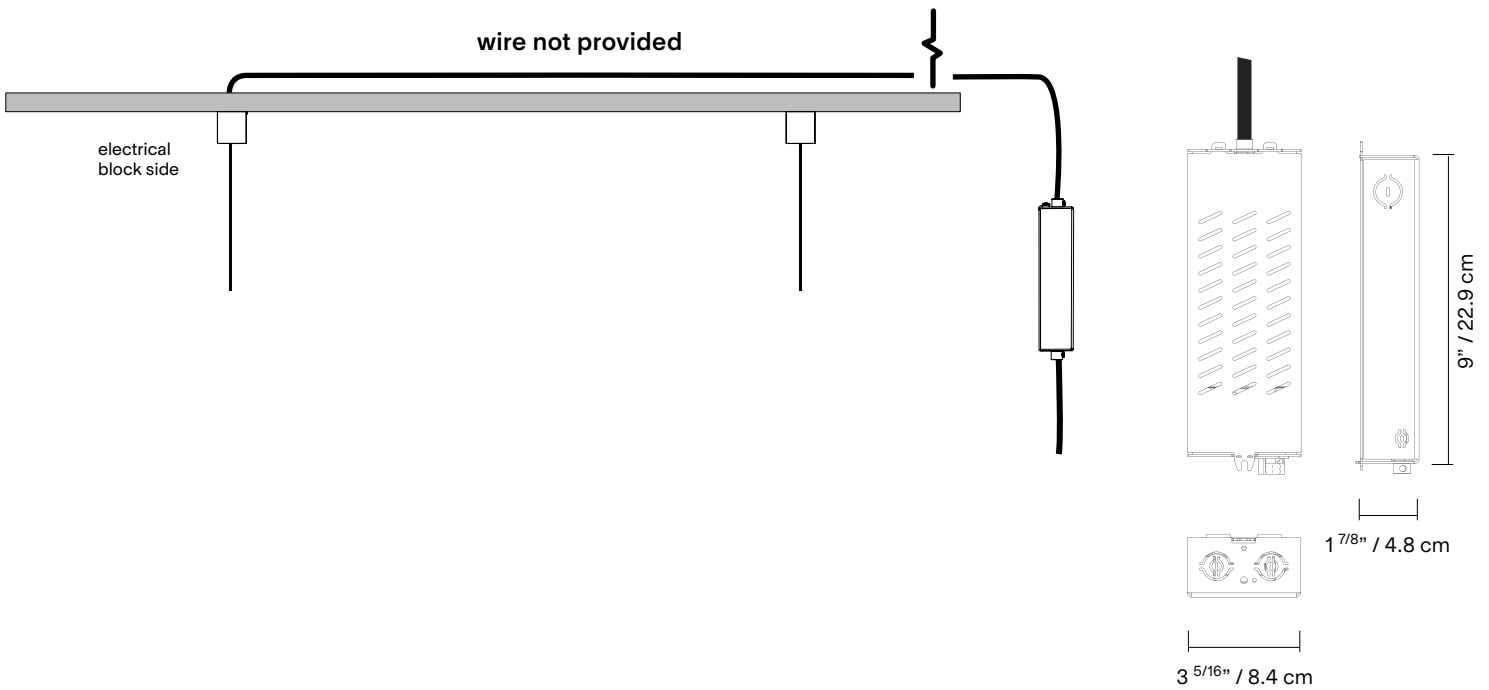
ISLE01B



SM- Surface mounted



RM-Remote driver



*housing not necessary for
Phase Dimming 220-240VAC
(only driver provided)

REMOTE DRIVER HOUSING

Must be accessible for maintenance in a well aerated location for heat dissipation

Use the following chart to determine proper wiring gauge according to the distance to its location.

GAUGE

18AWG (0.75mm²)
16AWG (1.5mm²)
14AWG (2.5mm²)
12AWG (4mm²)

MAX ALLOWABLE DISTANCE

85 ft. / (26 m)
136 ft. / (41 m)
216 ft. / (66 m)
343 ft. / (105 m)

MATERIAL



AL
Polished
aluminum



BM
Black
marquina
marble



GU
Guatemala
green
marble



PI
Pink
portugal
marble



RL
Red
levanto
marble



RN
Red
negrais
marble

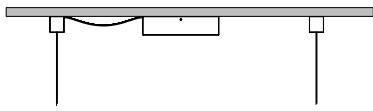
CORD



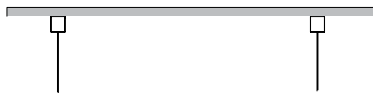
BK
Black

MOUNTING

SM
Surface mounted



RM
Remote Driver

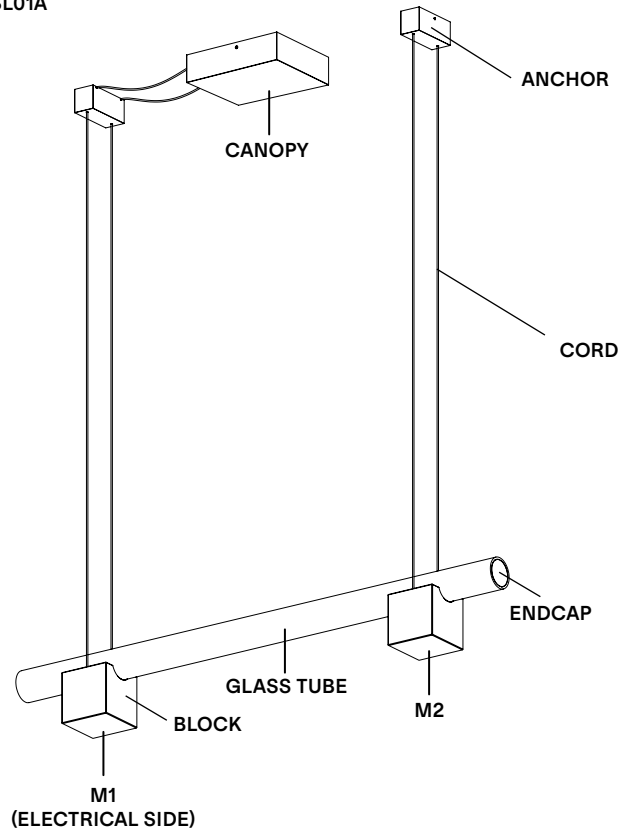


NOTES

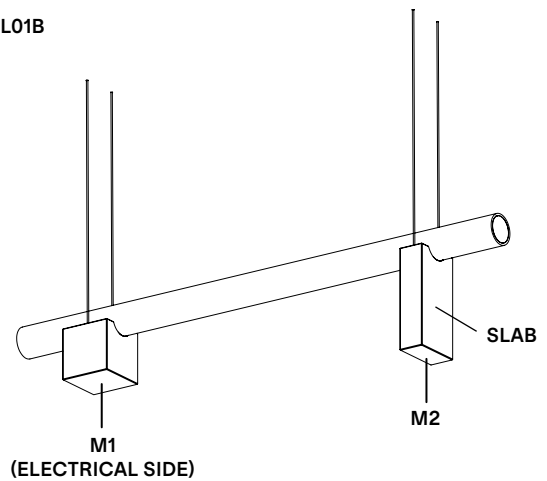
- Must be installed by an electrician
- LED may only be changed by Lambert & Fils or other authorized personnel
- Not protected against liquids (refer to IP20)
- Additional charges for modifications or for special orders
- Please refer to maintenance sheet on our website for cleaning instructions

LAMP ANATOMY

ISL01A



ISL01B



		Example	Fill with your selection
COLLECTION	ISL Isle	ISL	ISL
MODEL	01	01	01
CONFIGURATION	A B	A	
MATERIAL 1 - M1 ELECTRICAL BLOCK	AL Polished Aluminum BM Black Marquina marble GU Guatemala Green marble PI Pink Portugal marble RL Red Levanto marble RN Red Negrais marble	AL	
MATERIAL 2 - M2	AL Polished Aluminum BM Black Marquina marble GU Guatemala Green marble PI Pink Portugal marble RL Red Levanto marble RN Red Negrais marble	AL	
CORD	BK Black	BK	BK
CANOPY AND ANCHORS	AL Polished aluminum	AL	AL
MOUNTING	SM Surface mounted RM Remote driver	SM	
COLOUR TEMPERATURE (CCT)	WL Warm light (2700K) NL Neutral light (3000K) D27 Dim to warm (2700K-2200K) D30 Dim to warm (3000K-2200K) CCT Other CCT available upon request*	WL	
DIMMING	ZT 0-10V (120VAC only) PH Phase dimming DA DALI (220-240VAC only)	ZT	
FULL SKU		ISL01AALALBKALSMWLZT	
		NOTES	

*Specific CCT selection only available in 100k increments, from 2200K to 4000K inclusively and not available with Dim-to-Warm feature.

Isle 02








ISLE02A



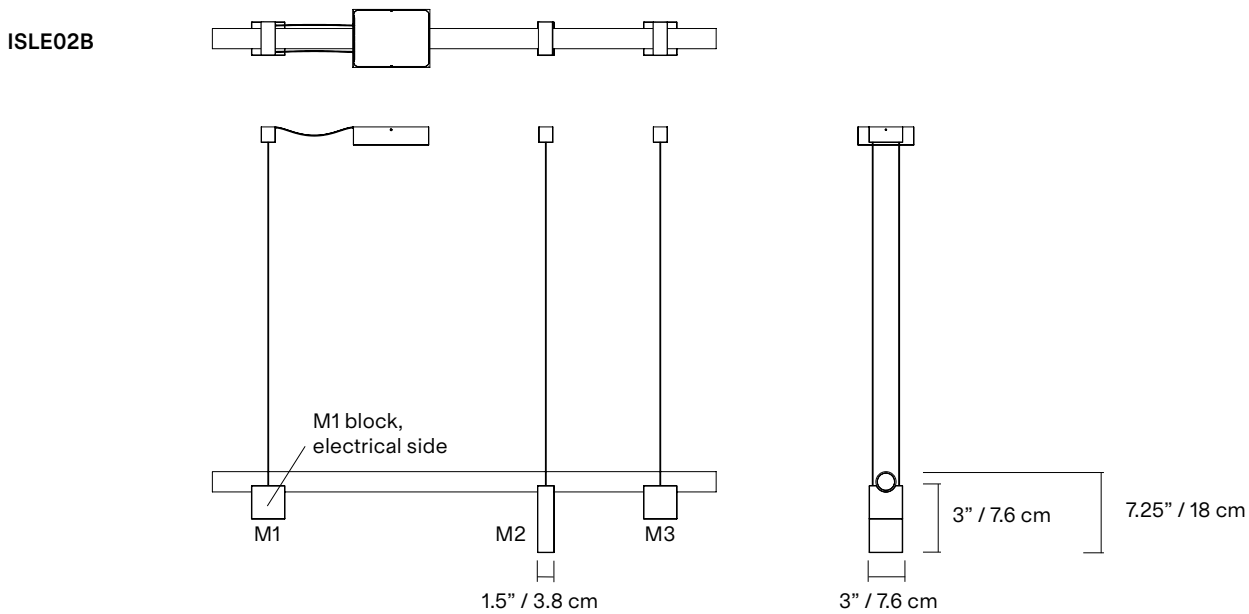
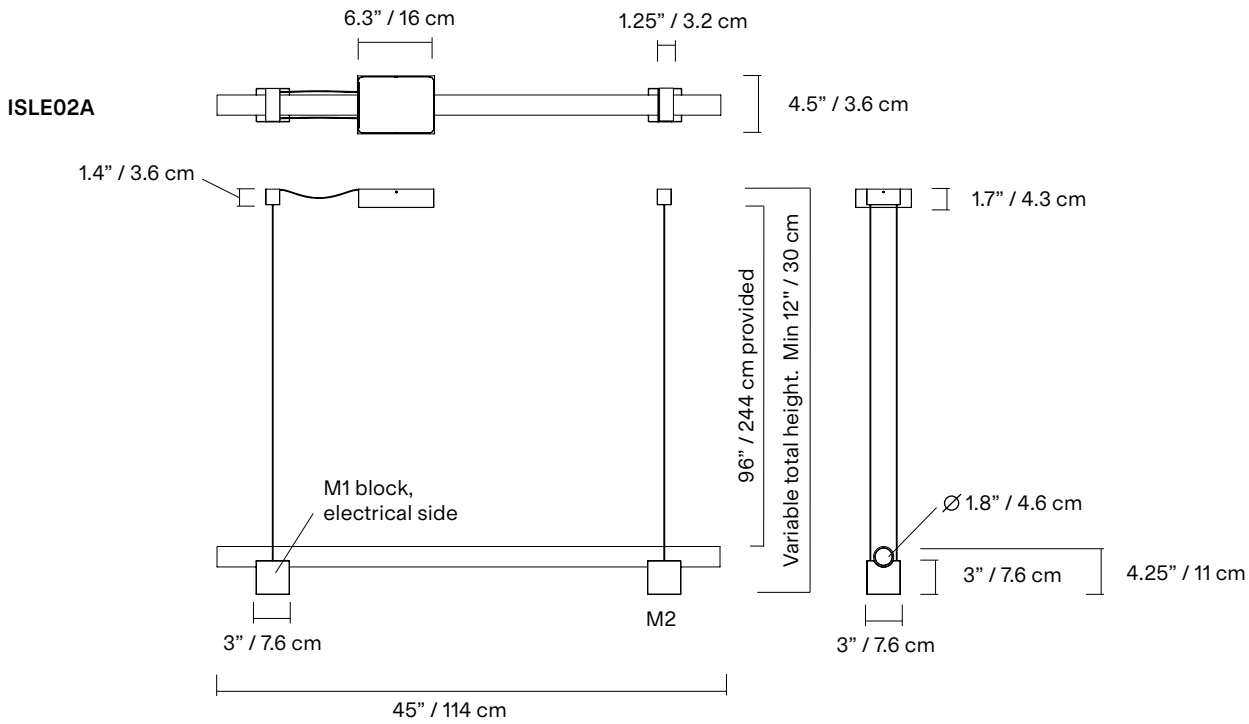
ISLE02B

An ode to quiet strength, Isle is a play both on illusion and perception allowing lightness to anchor and foundations to rise. Composed of a delicate glass tube resting on solid-stone and aluminum pedestals and suspended in mid-air like a surreal bridge, Isle is minimal, but never simplistic.

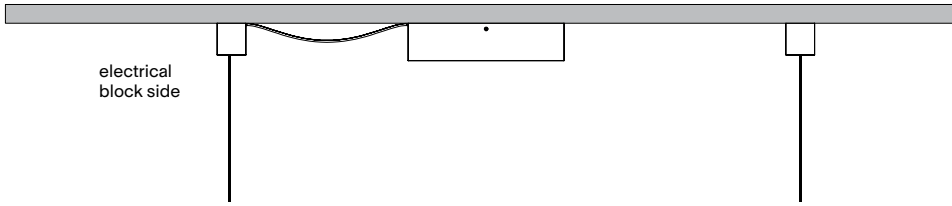
TYPE	Suspension
CONSTRUCTION	Frosted glass tube Polished aluminum or marble block and slab Polished aluminum endcap, canopy and anchors Polyester cord
SPECIFICATIONS	Power consumption: 35W Colour temperature: 3000K 2700K dim to warm 3000K to 2200K dim to warm 2700K to 2200K Lumen output: 2700K - 1877 lm Colour rendering index: ≥90 CRI Colour consistency: 3 SDCM Expected lifetime: ≥50 000h
CONTROL	120/277V on/off, 0-10V, or phase dimming 220-240V: On/Off, Phase Dimming, DALI Refer to our recommended list of dimmer models on page 6
CORD LENGTH	Mains/line cords- 120" / 304 cm Non-electrical cords- 96" / 244 cm
WEIGHT	ISL02A- 13.5lb / 6.1Kg ISL02B- 16.5lb / 7.5Kg
CERTIFICATIONS	     IP20
WARRANTY	2 years

NOTES

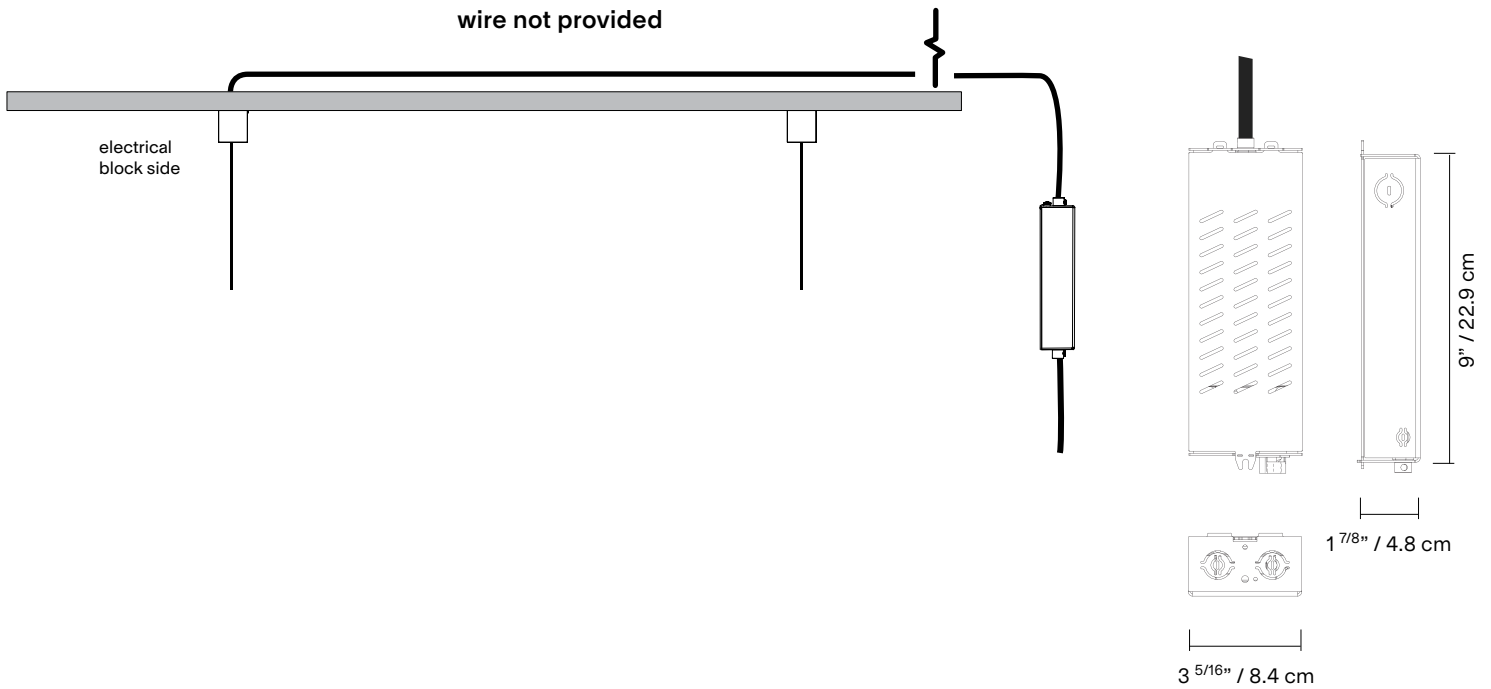
- The canopy can be offset from composition.
- Luminaire total height (ceiling to lowest point of luminaire). Luminaire height is adjustable on site.
Min - 12"/30 cm
Max - 102"/259 cm
*For any height outside these parameters, contact Lambert & Fils
- For installation on slanted ceiling, contact Lambert & Fils
- Ceiling anchors can be used as junction boxes for daisy chain. If needed, please inform your representative.
- Dimensions are approximate and may vary slightly



SM- Surface mounted



RM-Remote driver



*housing not necessary for Phase Dimming 220-240VAC (only driver provided)

REMOTE DRIVER HOUSING

Must be accessible for maintenance in a well aerated location for heat dissipation

Use the following chart to determine proper wiring gauge according to the distance to its location.

GAUGE

18AWG (0.75mm²)
 16AWG (1.5mm²)
 14AWG (2.5mm²)
 12AWG (4mm²)

MAX ALLOWABLE DISTANCE

85 ft. / (26 m)
 136 ft. / (41 m)
 216 ft. / (66 m)
 343 ft. / (105 m)

MATERIAL



AL
Polished
aluminum



BM
Black
Marquina
marble



GU
Guatemala
green
marble



PI
Pink
Portugal
marble



RL
Red
Levanto
marble



RN
Red
Negrais
marble

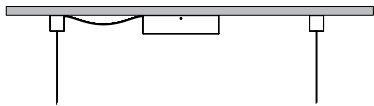
CORD



BK
Black

MOUNTING

SM
Surface mounted



RM
Remote Driver

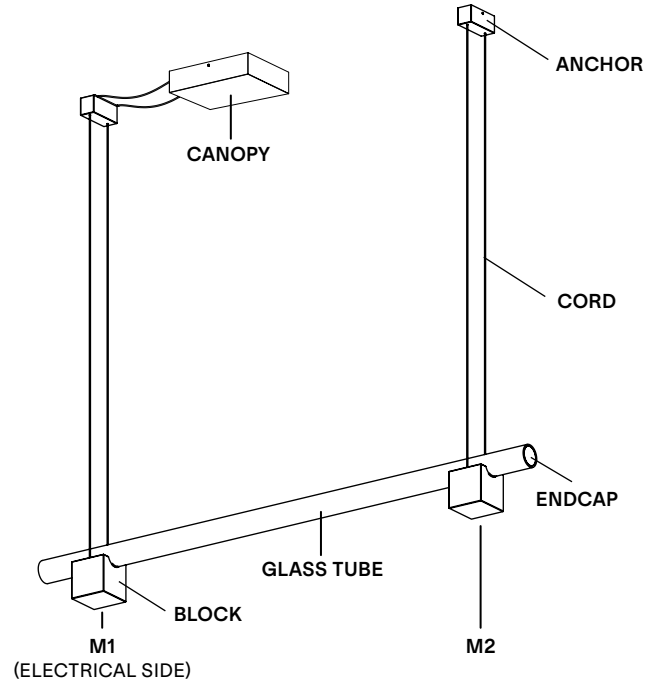


NOTES

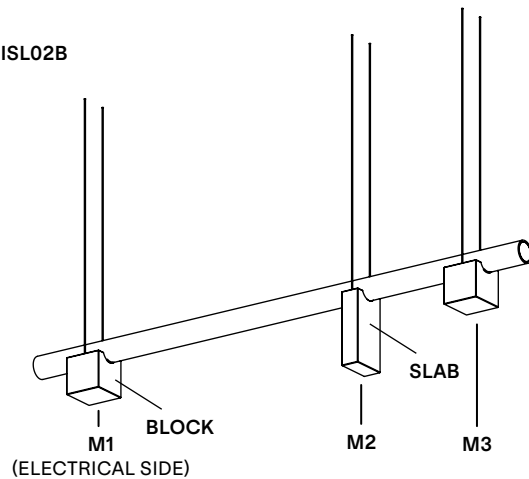
- Must be installed by an electrician
- LED may only be changed by Lambert & Fils or other authorized personnel
- Not protected against liquids (refer to IP20)
- Additional charges for modifications or for special orders
- Please refer to maintenance sheet on our website for cleaning instructions

LAMP ANATOMY

ISL02A



ISL02B



		Example	Fill with your selection
COLLECTION	ISL Isle	ISL	ISL
MODEL	02	02	02
CONFIGURATION	A B	A	
MATERIAL 1 - M1 ELECTRICAL BLOCK	AL Polished Aluminum BM Black Marquina marble GU Guatemala Green marble PI Pink Portugal marble RL Red Levanto marble RN Red Negrais marble	AL	
MATERIAL 2 - M2	AL Polished Aluminum BM Black Marquina marble GU Guatemala Green marble PI Pink Portugal marble RL Red Levanto marble RN Red Negrais marble	AL	
MATERIAL 3 - M3* *ONLY FOR B CONFIGURATION	AL Polished Aluminum BM Black Marquina marble GU Guatemala Green marble PI Pink Portugal marble RL Red Levanto marble RN Red Negrais marble	AL	
CORD	BK Black	BK	BK
CANOPY AND ANCHORS	AL Polished aluminum	AL	AL
MOUNTING	SM Surface mounted RM Remote driver	SM	
COLOUR TEMPERATURE (CCT)	WL Warm light (2700K) NL Neutral light (3000K) D27 Dim to warm (2700K-2200K) D30 Dim to warm (3000K-2200K) CCT Other CCT available upon request**	WL	
DIMMING	ZT 0-10V (120VAC only) PH Phase dimming DA DALI (220-240VAC only)	ZT	
FULL SKU		ISL02AALALBKALSMWLZT	

NOTES

**Specific CCT selection only available in 100k increments, from 2200K to 4000K inclusively and not available with Dim-to-Warm feature.

Isle 03








ISLE03A



ISLE03B

An ode to quiet strength, Isle is a play both on illusion and perception allowing lightness to anchor and foundations to rise. Composed of a delicate glass tube resting on solid-stone and aluminum pedestals and suspended in mid-air like a surreal bridge, Isle is minimal, but never simplistic.

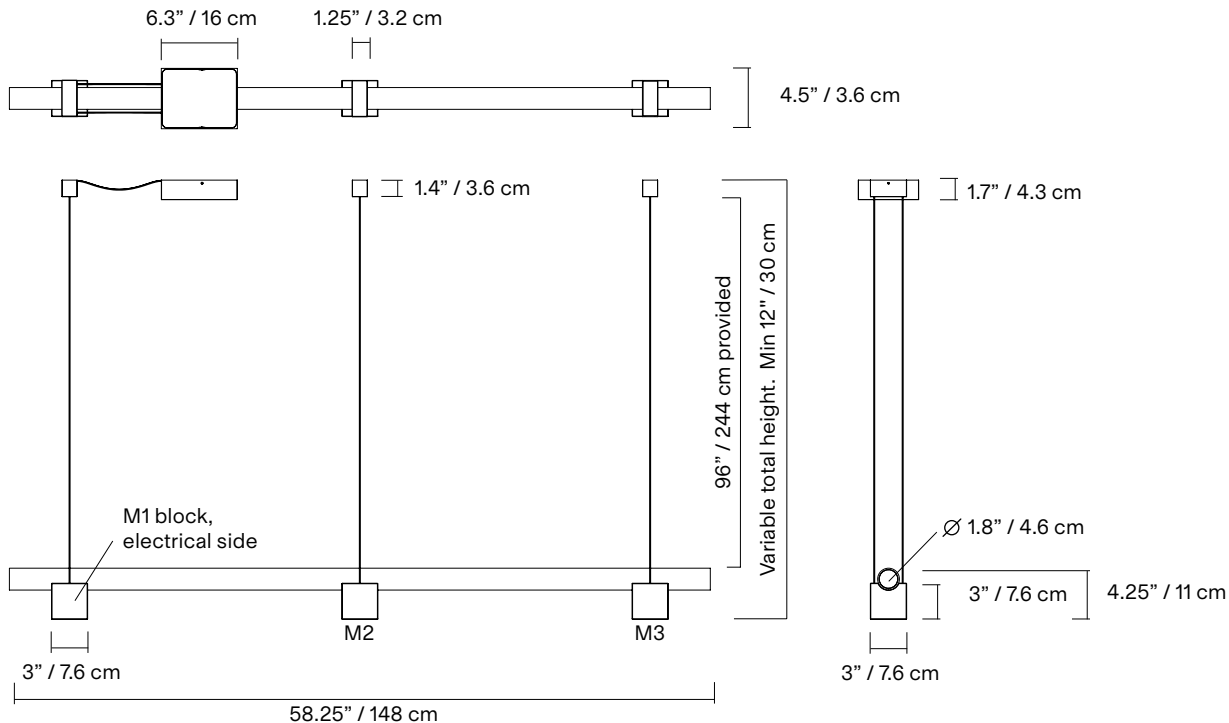
TYPE	Suspension
CONSTRUCTION	Frosted glass tube Polished aluminum or marble block and slab Polished aluminum endcap, canopy and anchors Polyester cord
SPECIFICATIONS	Power consumption: 45W Colour temperature: 3000K 2700K dim to warm 3000K to 2200K dim to warm 2700K to 2200K Lumen output: 2700K - 2439 lm Colour rendering index: ≥90 CRI Colour consistency: 3 SDCM Expected lifetime: ≥50 000h
CONTROL	120/277V on/off, 0-10V, or phase dimming 220-240V: On/Off, Phase Dimming, DALI Refer to our recommended list of dimmer models on page 6
CORD LENGTH	Mains/line cords- 120" / 304 cm Non-electrical cords- 96" / 244 cm
WEIGHT	ISL03A- 17.5lb / 7.9Kg ISL03B- 20.5lb / 9.3Kg
CERTIFICATIONS	     IP20
WARRANTY	2 years

NOTES

- The canopy can be offset from composition.
- Luminaire total height (ceiling to lowest point of luminaire). Luminaire height is adjustable on site.
Min - 12"/30 cm
Max - 102"/259 cm
*For any height outside these parameters, contact Lambert & Fils
- For installation on slanted ceiling, contact Lambert & Fils
- Ceiling anchors can be used as junction boxes for daisy chain. If needed, please inform your representative.
- Dimensions are approximate and may vary slightly

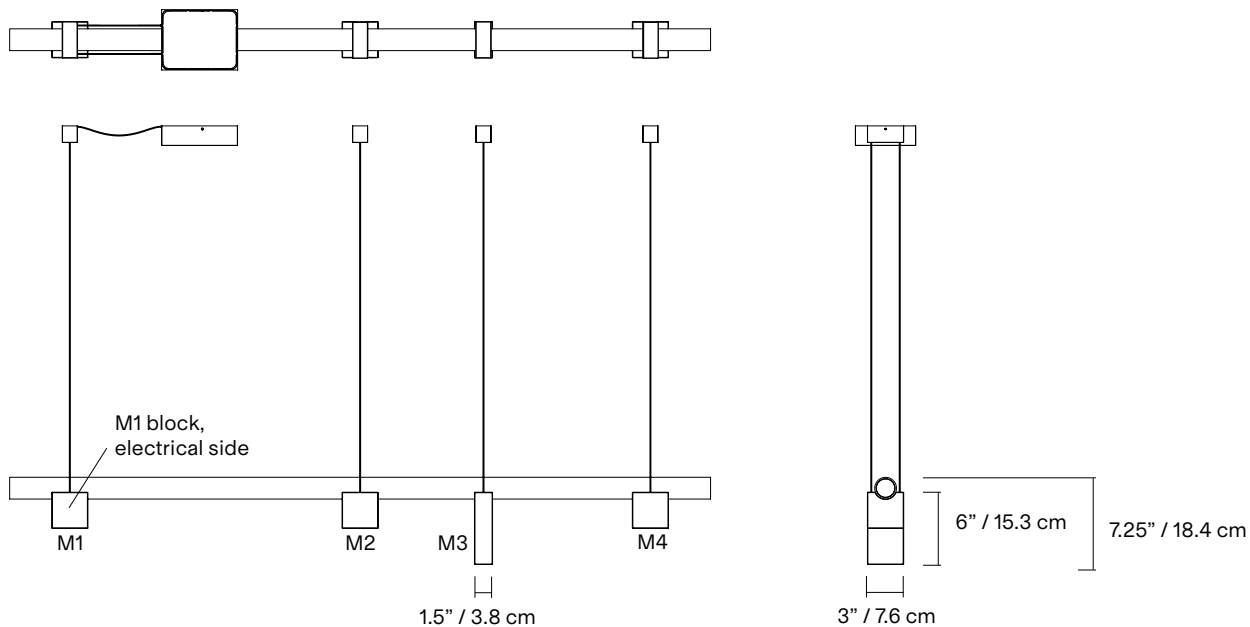
The canopy cannot be installed in the center of the proposed composition.

ISLE03A

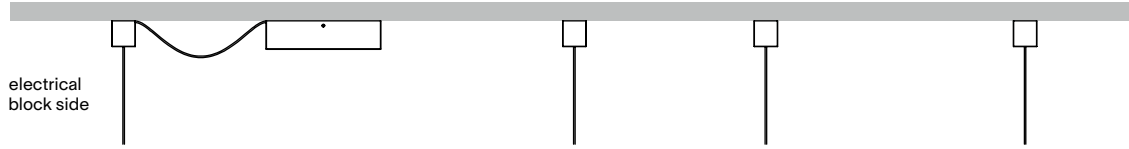


The canopy cannot be installed in the center of the proposed composition.

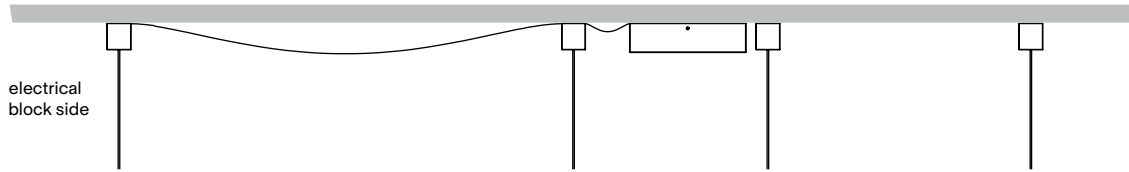
ISLE03B



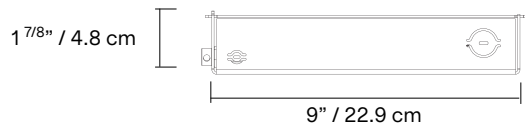
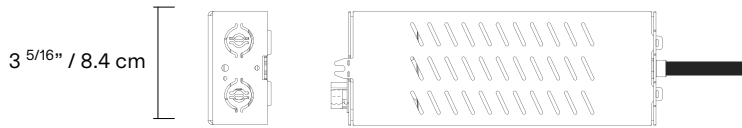
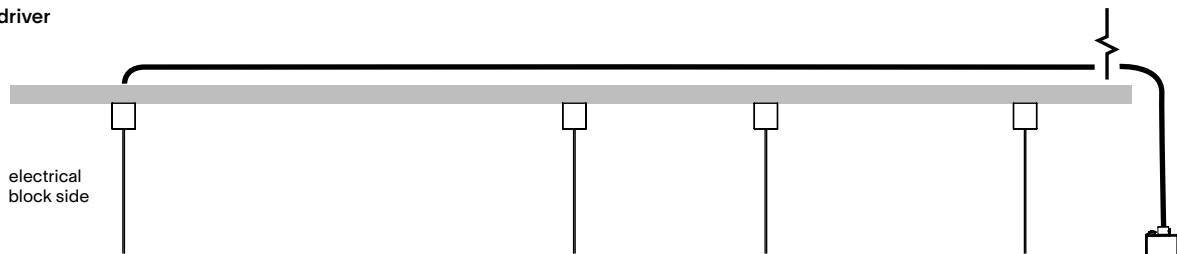
SM- Surface mounted



DC- Daisy chain (only for Isle 03B)



RM-Remote driver



*housing not necessary for Phase Dimming 220-240VAC (only driver provided)

REMOTE DRIVER HOUSING

Must be accessible for maintenance in a well aerated location for heat dissipation

Use the following chart to determine proper wiring gauge according to the distance to its location.

GAUGE

18AWG (0.75mm²)
 16AWG (1.5mm²)
 14AWG (2.5mm²)
 12AWG (4mm²)

MAX ALLOWABLE DISTANCE

85 ft. / (26 m)
 136 ft. / (41 m)
 216 ft. / (66 m)
 343 ft. / (105 m)

MATERIAL*



AL
Polished
aluminum



BM
Black
Marquina
marble



GU
Guatemala
green
marble



PI
Pink
Portugal
marble



RL
Red
Levanto
marble



RN
Red
Negrais
marble

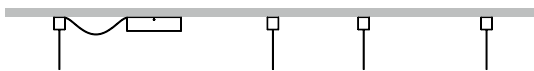
CORD



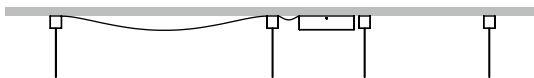
BK
Black

MOUNTING

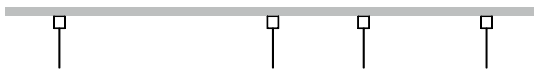
SM
Surface mounted



DC
Daisy chain
(only for Isle 03B)



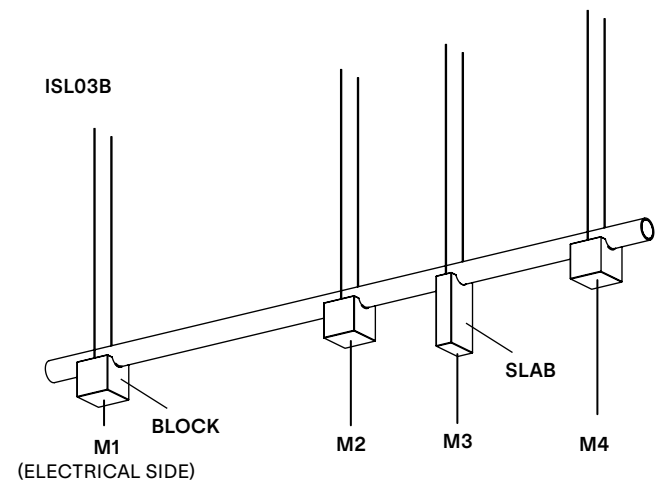
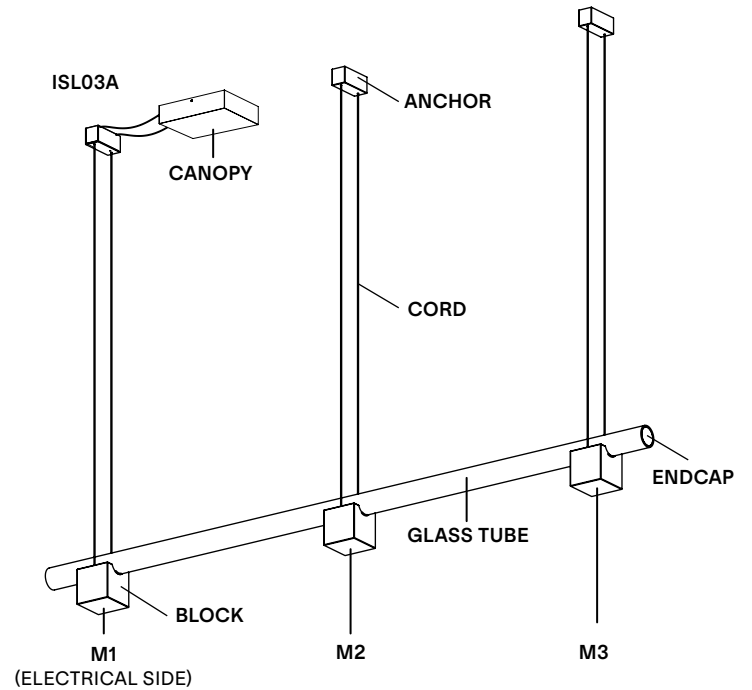
RM
Remote Driver



NOTES

- Must be installed by an electrician
- LED may only be changed by Lambert & Fils or other authorized personnel
- Not protected against liquids (refer to IP20)
- Additional charges for modifications or for special orders
- Please refer to maintenance sheet on our website for cleaning instructions
- *All marble colours and vein patterns are unique to each block.

LAMP ANATOMY



		Example	Fill with your selection
COLLECTION	ISL Isle	ISL	ISL
MODEL	03	03	03
CONFIGURATION	A B	A	
MATERIAL 1 - M1 ELECTRICAL BLOCK	AL Polished Aluminum BM Black Marquina marble GU Guatemala Green marble PI Pink Portugal marble RL Red Levanto marble RN Red Negrais marble	AL	
MATERIAL 2 - M2	AL Polished Aluminum BM Black Marquina marble GU Guatemala Green marble PI Pink Portugal marble RL Red Levanto marble RN Red Negrais marble	AL	
MATERIAL 3 - M3	AL Polished Aluminum BM Black Marquina marble GU Guatemala Green marble PI Pink Portugal marble RL Red Levanto marble RN Red Negrais marble	AL	
MATERIAL 4 - M4* *ONLY FOR B CONFIGURATION	AL Polished Aluminum BM Black Marquina marble GU Guatemala Green marble PI Pink Portugal marble RL Red Levanto marble RN Red Negrais marble	AL	
CORD	BK Black	BK	BK
CANOPY AND ANCHORS	AL Polished aluminum	AL	AL
MOUNTING	SM Surface mounted DC Daisy chain (only for Isle 03B) RM Remote driver	SM	
COLOUR TEMPERATURE (CCT)	WL Warm light (2700K) NL Neutral light (3000K) D27 Dim to warm (2700K-2200K) D30 Dim to warm (3000K-2200K) CCT Other CCT available upon request**	WL	
DIMMING	ZT 0-10V (120VAC only) PH Phase dimming DA DALI (220-240VAC only)	ZT	
FULL SKU		ISL03AALALALBKALSMWLZT	
		NOTES	

**Specific CCT selection only available in 100k increments, from 2200K to 4000K inclusively and not available with Dim-to-Warm feature.

Isle 10




ISLE 10 - COLOUR PALETTE 1

ISL03A: Black Marquina + Polished Aluminum + Black Marquina

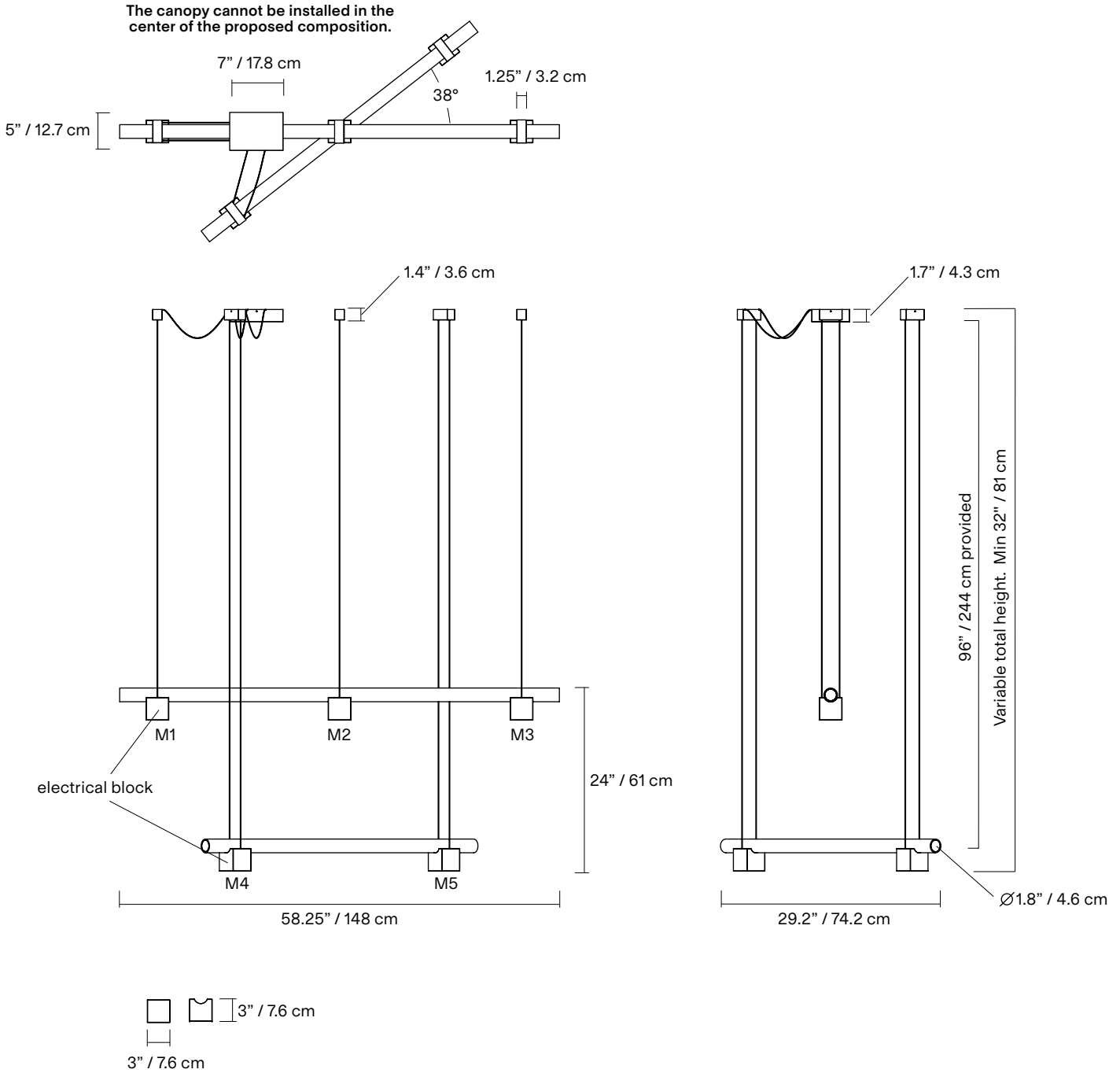
ISL02A: Polished Aluminum + Black Marquina

An ode to quiet strength, Isle is a play both on illusion and perception allowing lightness to anchor and foundations to rise. Composed of a delicate glass tube resting on solid-stone and aluminum pedestals and suspended in mid-air like a surreal bridge, Isle is minimal, but never simplistic.

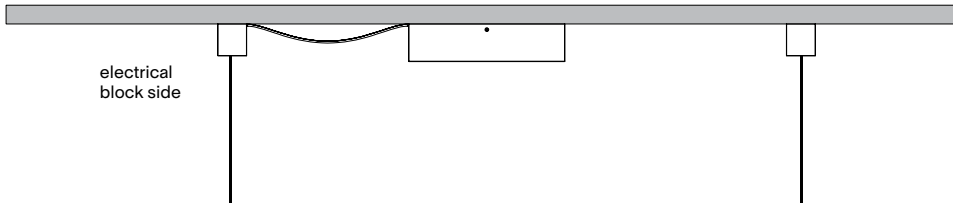
TYPE	Suspension
CONSTRUCTION	Frosted glass tube Polished aluminum or marble block and slab Polished aluminum endcap, canopy and anchors Polyester cord
SPECIFICATIONS	Power consumption: 52W Colour temperature: 3000K 2700K dim to warm 3000K to 2200K dim to warm 2700K to 2200 Lumen output: 2700K - 2815 lm Colour rendering index: ≥90 CRI Colour consistency: 3 SDCM Expected lifetime: ≥50 000h
CONTROL	120/277V on/off, 0-10V, or phase dimming 220-240V: On/Off, Phase Dimming, DALI Refer to our recommended list of dimmer models on page 6
CORD LENGTH	Mains/line cords- 120" / 304 cm Non-electrical cords- 96" / 244 cm
WEIGHT	ISL02A- 13.5lb / 6.1Kg ISL03A- 17.5lb / 7.9Kg
CERTIFICATIONS	 IP20
WARRANTY	2 years

NOTES

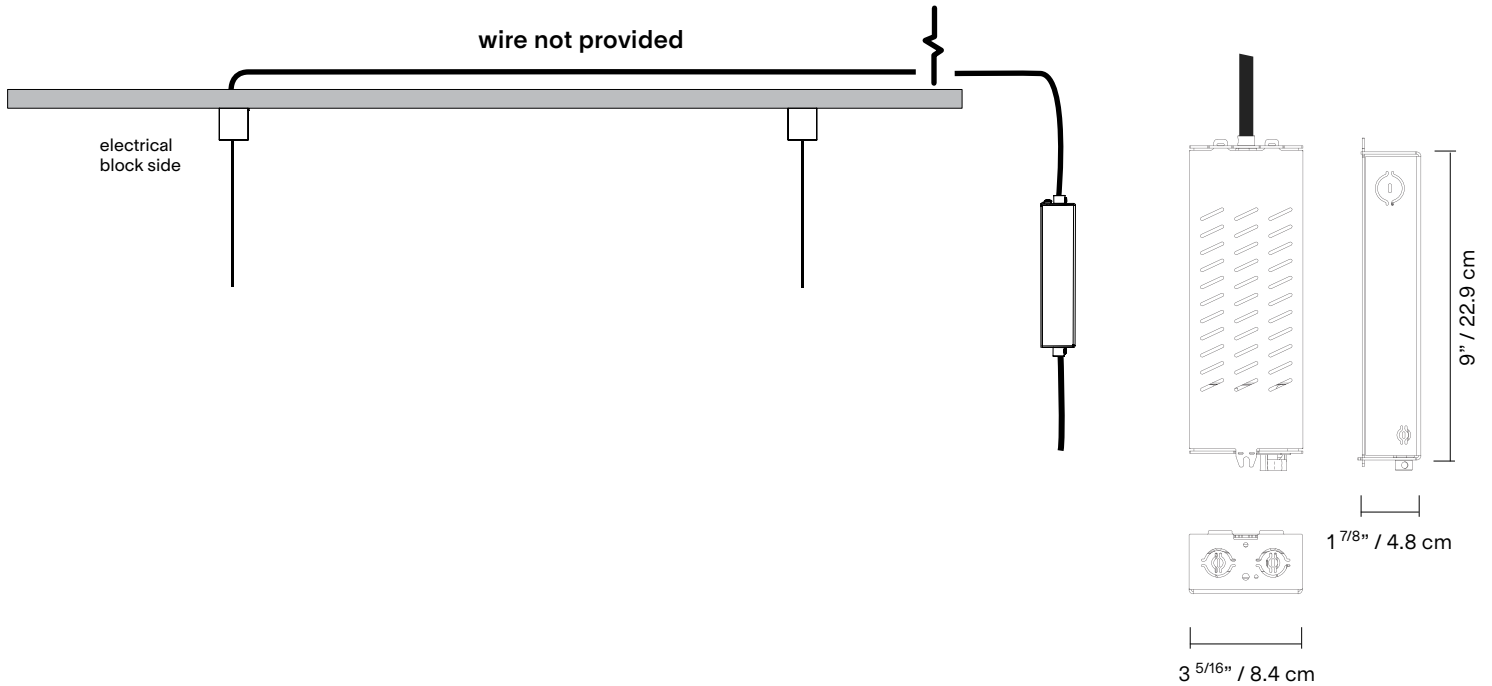
- The canopy can be offset from composition.
- Luminaire total height (ceiling to lowest point of luminaire). Luminaire height is adjustable on site.
Min - 32"/81 cm
Max - 102"/259 cm
*For any height outside these parameters, contact Lambert & Fils.
- Luminaire height is adjustable on site.
- Luminaire cannot be installed on a slanted ceiling.
- Ceiling anchors can be used as junction boxes for daisy chain. If needed, please inform your representative.
- Dimensions are approximate and may vary slightly.



SM- Surface mounted



RM-Remote driver



*housing not necessary for Phase Dimming 220-240VAC (only driver provided)

REMOTE DRIVER HOUSING

Must be accessible for maintenance in a well aerated location for heat dissipation

Use the following chart to determine proper wiring gauge according to the distance to its location.

GAUGE

18AWG (0.75mm²)
 16AWG (1.5mm²)
 14AWG (2.5mm²)
 12AWG (4mm²)

MAX ALLOWABLE DISTANCE

85 ft. / (26 m)
 136 ft. / (41 m)
 216 ft. / (66 m)
 343 ft. / (105 m)

MATERIAL



AL
Polished
aluminum



BM
Black
Marquina
marble



GU
Guatemala
green
marble



PI
Pink
Portugal
marble



RL
Red
Levanto
marble



RN
Red
Negrais
marble

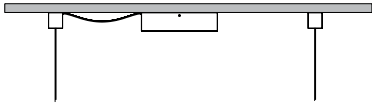
CORD



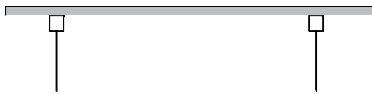
BK
Black

MOUNTING

SM
Surface mounted



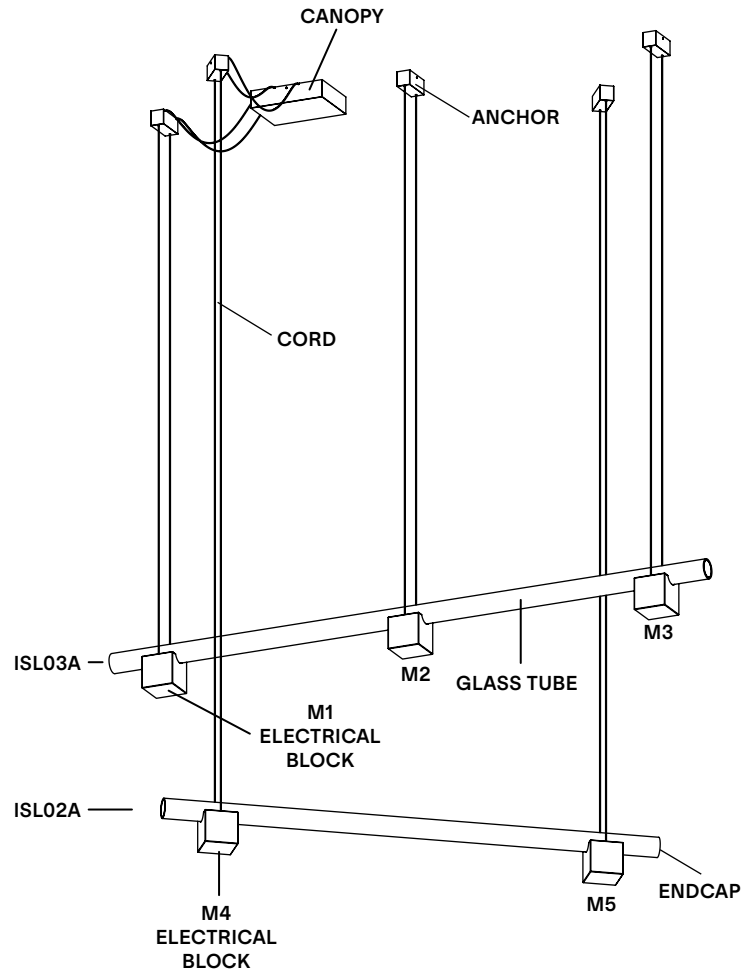
RM
Remote Driver



NOTES

- Must be installed by an electrician
- LED may only be changed by Lambert & Fils or other authorized personnel
- Not protected against liquids (refer to IP20)
- Additional charges for modifications or for special orders
- Please refer to maintenance sheet on our website for cleaning instructions

LAMP ANATOMY



		Example	Fill with your selection
COLLECTION	ISL Isle	ISL	ISL
MODEL	10	10	10
MATERIAL	P1 ISL03A - Black Marquina (M1) + Polished aluminum (M2) + Black Marquina (M3) ISL02A - Black Marquina (M4) + Polished aluminum (M5) P2 ISL03A - Red Levanto (M1), Polished Aluminum (M2), Guatemala Green (M3) Guatemala Green (M4), Polished Aluminum (M5) P3 ISL03A - Polished Aluminum (M1+M2), Red Negrais (M3) Pink Portugal (M4) + Polished Aluminum (M5) P4 ISL03A - Pink Portugal (M1) + Polished Aluminum (M2) + Red Levanto (M3) Red Levanto (M4) + Polished Aluminum (M5).	P1	
CORD	BK Black	BK	BK
CANOPY AND ANCHORS	AL Polished aluminum	AL	AL
MOUNTING	SM Surface mounted RM Remote driver	SM	
COLOUR TEMPERATURE (CCT)	WL Warm light (2700K) NL Neutral light (3000K) D27 Dim to warm (2700K-2200K) D30 Dim to warm (3000K-2200K) CCT Other CCT available upon request*	WL	
DIMMING	ZT 0-10V (120VAC only) PH Phase dimming DA DALI (220-240VAC only)	ZT	
FULL SKU		ISL10P1BKALSMWLZT	

NOTES

*Specific CCT selection only available in 100k increments, from 2200K to 4000K inclusively and not available with Dim-to-Warm feature.

Isle 11








ISLE 11 - COLOUR PALETTE 1

ISL02B: Polished aluminum + Polished Aluminum + Black Marquina

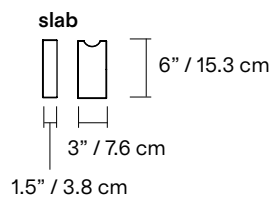
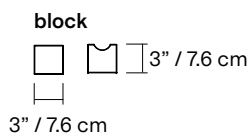
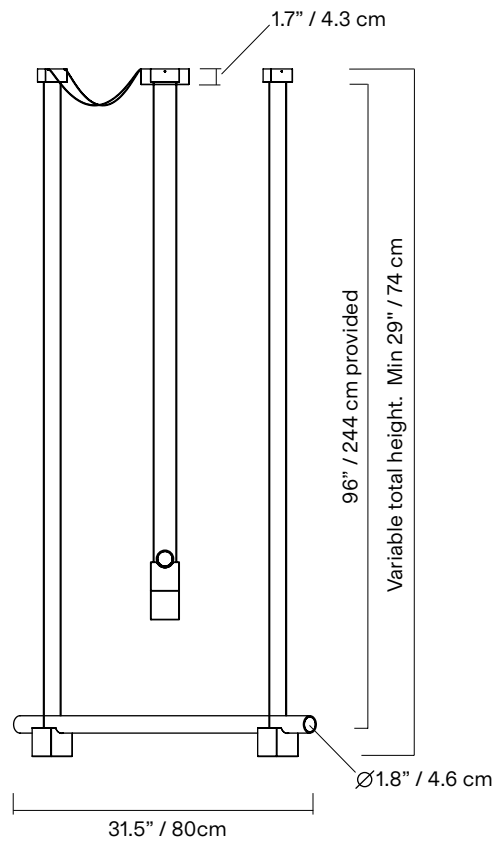
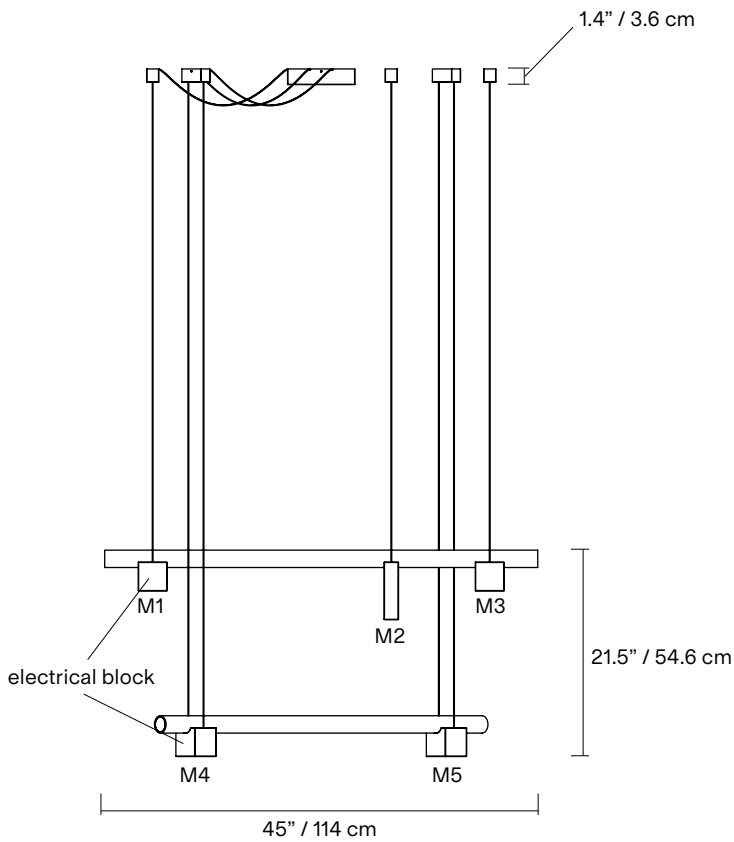
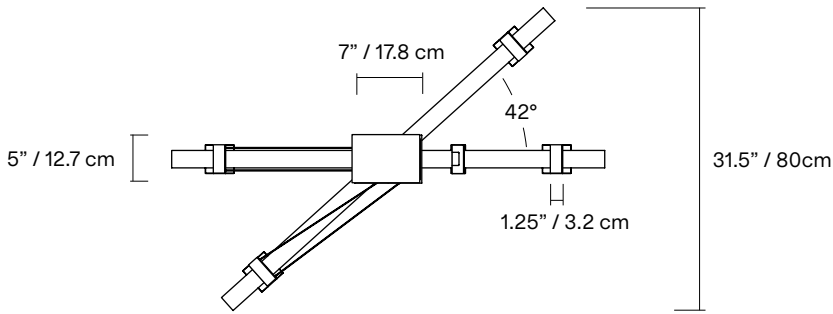
ISL02A: Black Marquina + Polished Aluminum

An ode to quiet strength, Isle is a play both on illusion and perception allowing lightness to anchor and foundations to rise. Composed of a delicate glass tube resting on solid-stone and aluminum pedestals and suspended in mid-air like a surreal bridge, Isle is minimal, but never simplistic.

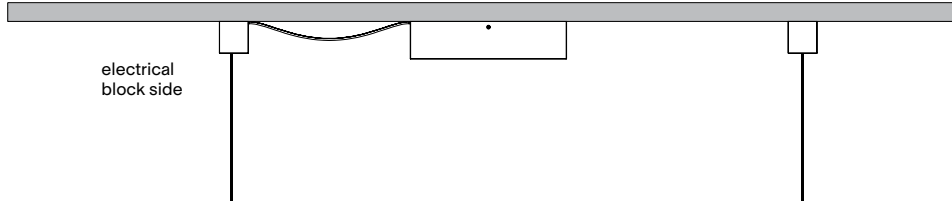
TYPE	Suspension
CONSTRUCTION	Frosted glass tube Polished aluminum or marble block Polished aluminum endcap, canopy and anchors Polyester cord
SPECIFICATIONS	Power consumption: 52W Colour temperature: 3000K 2700K dim to warm 3000K to 2200K dim to warm 2700K to 2200K Lumen output: 2700K - 2815 lm Colour rendering index: ≥90 CRI Colour consistency: 3 SDCM Expected lifetime: ≥50 000h
CONTROL	120/277V on/off, 0-10V, or phase dimming 220-240V: On/Off, Phase Dimming, DALI Refer to our recommended list of dimmer models on page 6
CORD LENGTH	Mains/line cords- 120" / 304 cm Non-electrical cords- 96" / 244 cm
WEIGHT	ISL02A- 13.5lb / 6.1Kg ISL02B- 16.5lb / 7.5Kg
CERTIFICATIONS	     IP20
WARRANTY	2 years

NOTES

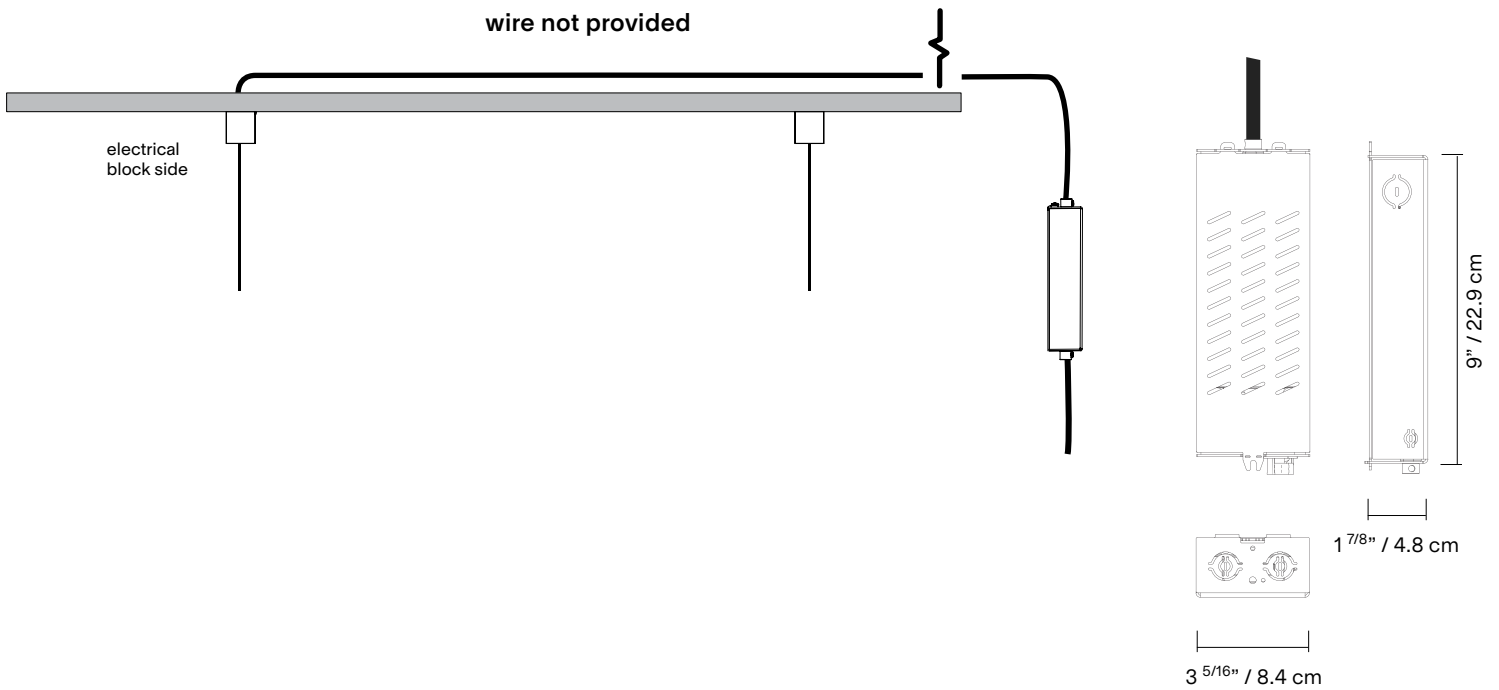
- The canopy can be offset from composition.
- Luminaire total height (ceiling to lowest point of luminaire).
Min - 29"/74 cm
Max - 119"/302 cm
*For any height outside these parameters, contact Lambert & Fils.
- Luminaire height is adjustable on site.
- Luminaire cannot be installed on a slanted ceiling.
- Ceiling anchors can be used as junction boxes for daisy chain. If needed, please inform your representative.
- Dimensions are approximate and may vary slightly.



SM- Surface mounted



RM-Remote driver



*housing not necessary for Phase Dimming 220-240VAC (only driver provided)

REMOTE DRIVER HOUSING

Must be accessible for maintenance in a well aerated location for heat dissipation

Use the following chart to determine proper wiring gauge according to the distance to its location.

GAUGE

18AWG (0.75mm²)
 16AWG (1.5mm²)
 14AWG (2.5mm²)
 12AWG (4mm²)

MAX ALLOWABLE DISTANCE

85 ft. / (26 m)
 136 ft. / (41 m)
 216 ft. / (66 m)
 343 ft. / (105 m)

MATERIAL



AL
Polished
aluminum



BM
Black
marquina
marble



GU
Guatemala
green
marble



PI
Pink
portugal
marble



RL
Red
levanto
marble



RN
Red
negrais
marble

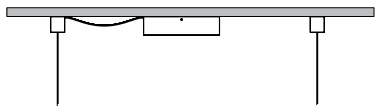
CORD



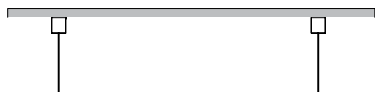
BK
Black

MOUNTING

SM
Surface mounted



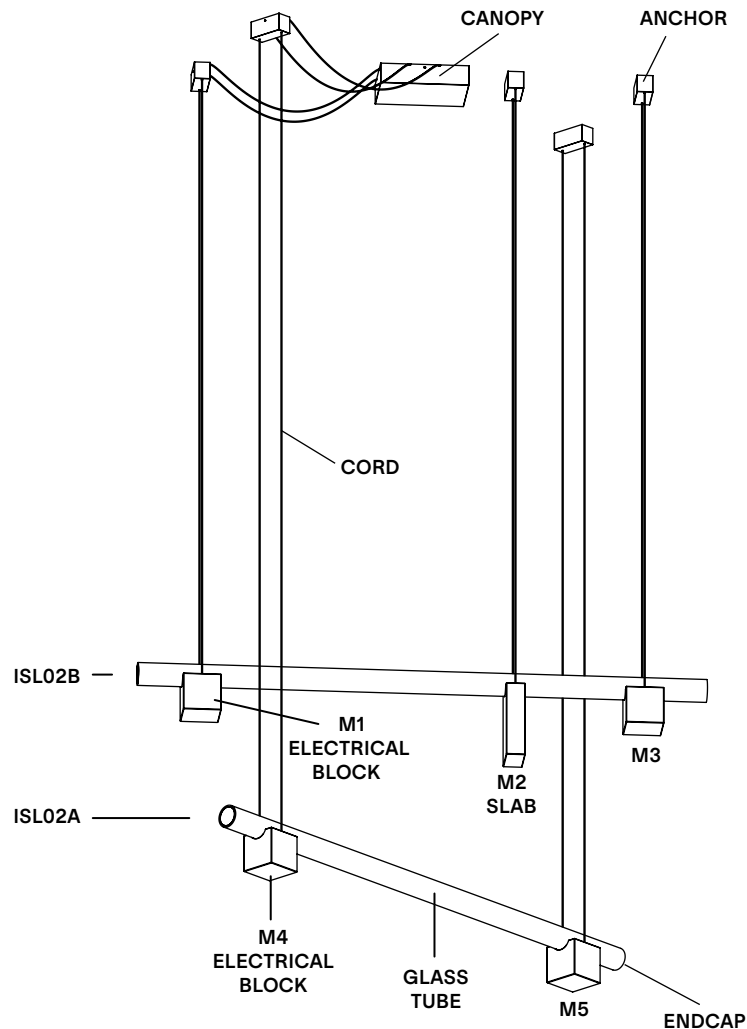
RM
Remote Driver



NOTES

- Must be installed by an electrician
- LED may only be changed by Lambert & Fils or other authorized personnel
- Not protected against liquids (refer to IP20)
- Additional charges for modifications or for special orders
- Please refer to maintenance sheet on our website for cleaning instructions

LAMP ANATOMY








		Example	Fill with your selection
COLLECTION	ISL Isle	ISL	ISL
MODEL	11	11	11
MATERIAL	P1 ISL02B - Black Marquina (M1) + Polished Aluminum (M2+M3) ISL02A - Polished Aluminum (M4) + Black Marquina (M5) P2 ISL02B - Guatemala Green (M1) + Black Marquina (M2) + Polished Aluminum (M3) ISL02A - Polished Aluminum (M4) + Guatemala Green (M5) P3 ISL02B - Red Negrais (M1) + Pink Portugal (M2) + Polished Aluminum (M3) ISL02A - Polished Aluminum (M4) + Red Negrais (M5) P4 ISL02B - Pink Portugal (M1) + Red Levanto (M2) + Polished Aluminum (M3) ISL02A - Polished Aluminum (M4) + Red Levanto (M5)	P1	
CORD	BK Black	BK	BK
CANOPY AND ANCHORS	AL Polished aluminum	AL	AL
MOUNTING	SM Surface mounted RM Remote driver	SM	
COLOUR TEMPERATURE (CCT)	WL Warm light (2700K) NL Neutral light (3000K) D27 Dim to warm (2700K-2200K) D30 Dim to warm (3000K-2200K) CCT Other CCT available upon request*	WL	
DIMMING	ZT 0-10V (120VAC only) PH Phase dimming DA DALI (220-240VAC only)	ZT	
FULL SKU		ISL11P1BKSLSMWLZT	
		NOTES	

*Specific CCT selection only available in 100k increments, from 2200K to 4000K inclusively and not available with Dim-to-Warm feature.

Isle 12



An ode to quiet strength, Isle is a play both on illusion and perception allowing lightness to anchor and foundations to rise. Composed of a delicate glass tube resting on solid-stone and aluminum pedestals and suspended in mid-air like a surreal bridge, Isle is minimal, but never simplistic.

TYPE	Suspension
CONSTRUCTION	Frosted glass tube Polished aluminum or marble block Polished aluminum endcap, canopy and anchors Polyester cord
SPECIFICATIONS	Power consumption: 52W Colour temperature: 3000K 2700K dim to warm 3000K to 2200K dim to warm 2700K to 2200K Lumen output: 2700K - 2815 lm Colour rendering index: ≥90 CRI Colour consistency: 3 SDCM Expected lifetime: ≥50 000h
CONTROL	120/277V on/off, 0-10V, or phase dimming 220-240V: On/Off, Phase Dimming, DALI Refer to our recommended list of dimmer models on page 6
CORD LENGTH	Mains/line cords- 120" / 304 cm Non-electrical cords- 96" / 244 cm
WEIGHT	ISL02B- 13.5lb / 6.1Kg ISL02A- 13.5lb / 6.1Kg ISL01B- 12lb / 5.4Kg
CERTIFICATIONS	     IP20
WARRANTY	2 years

ISLE 12 - COLOUR PALETTE 1

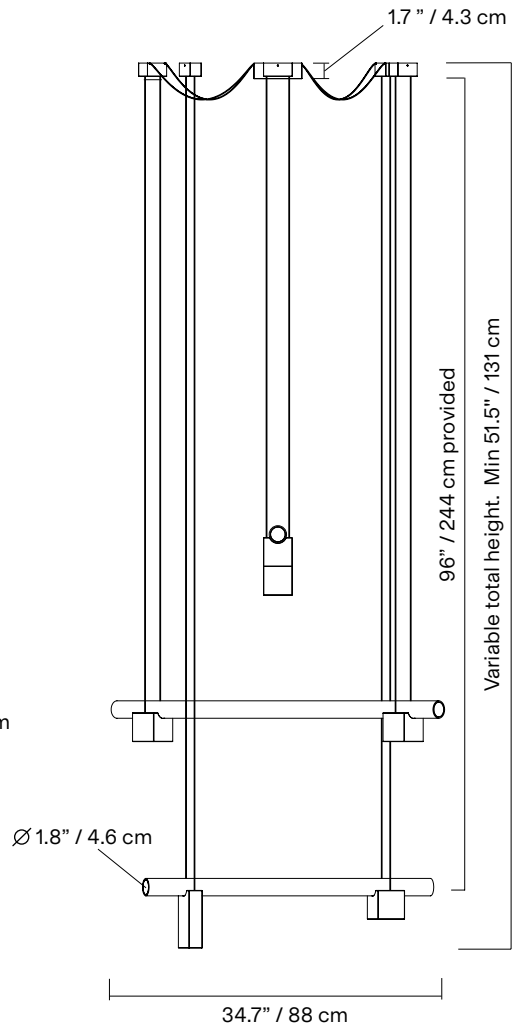
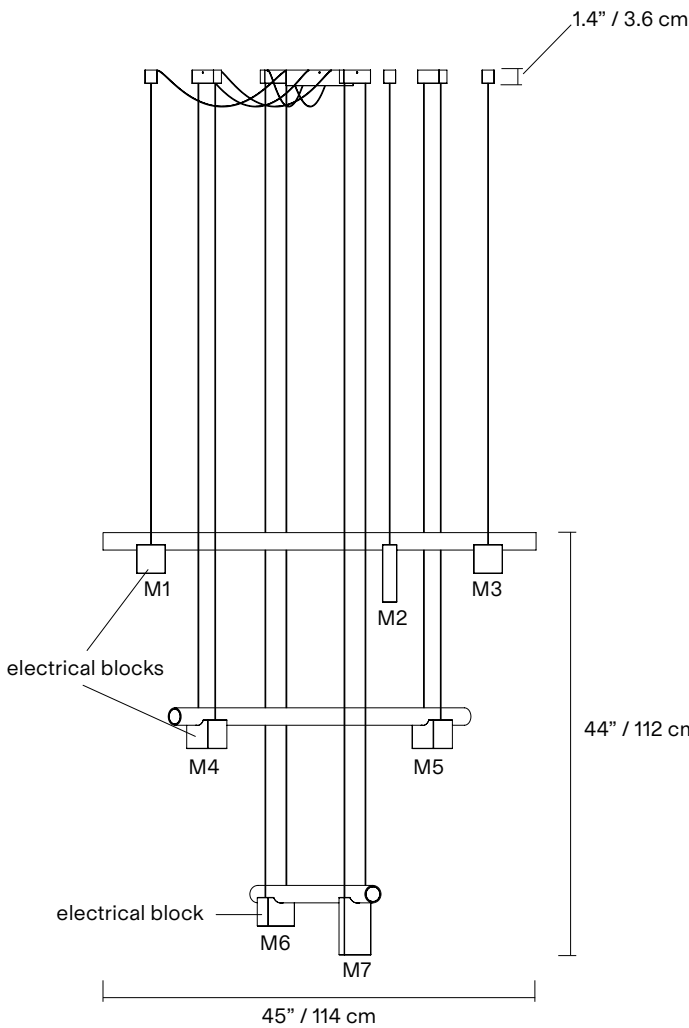
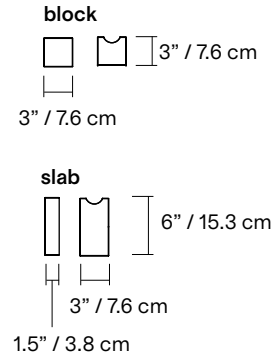
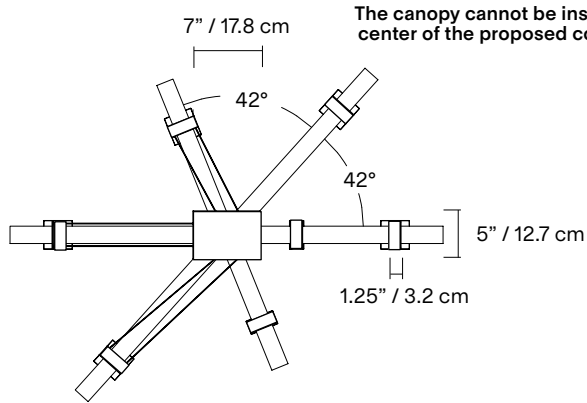
ISL02B: Black Marquina + Polished Aluminum + Polished Aluminum

ISL02A: Polished Aluminum + Black Marquina

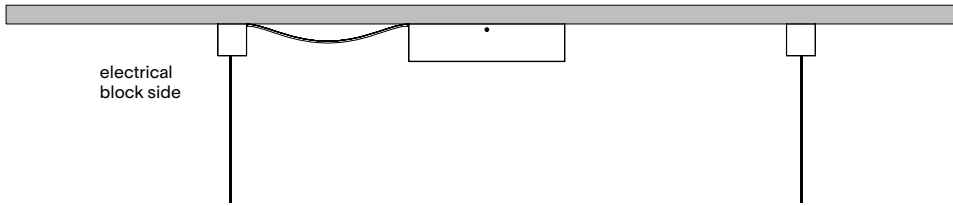
ISL01B: Black Marquina + Polished Aluminum

NOTES

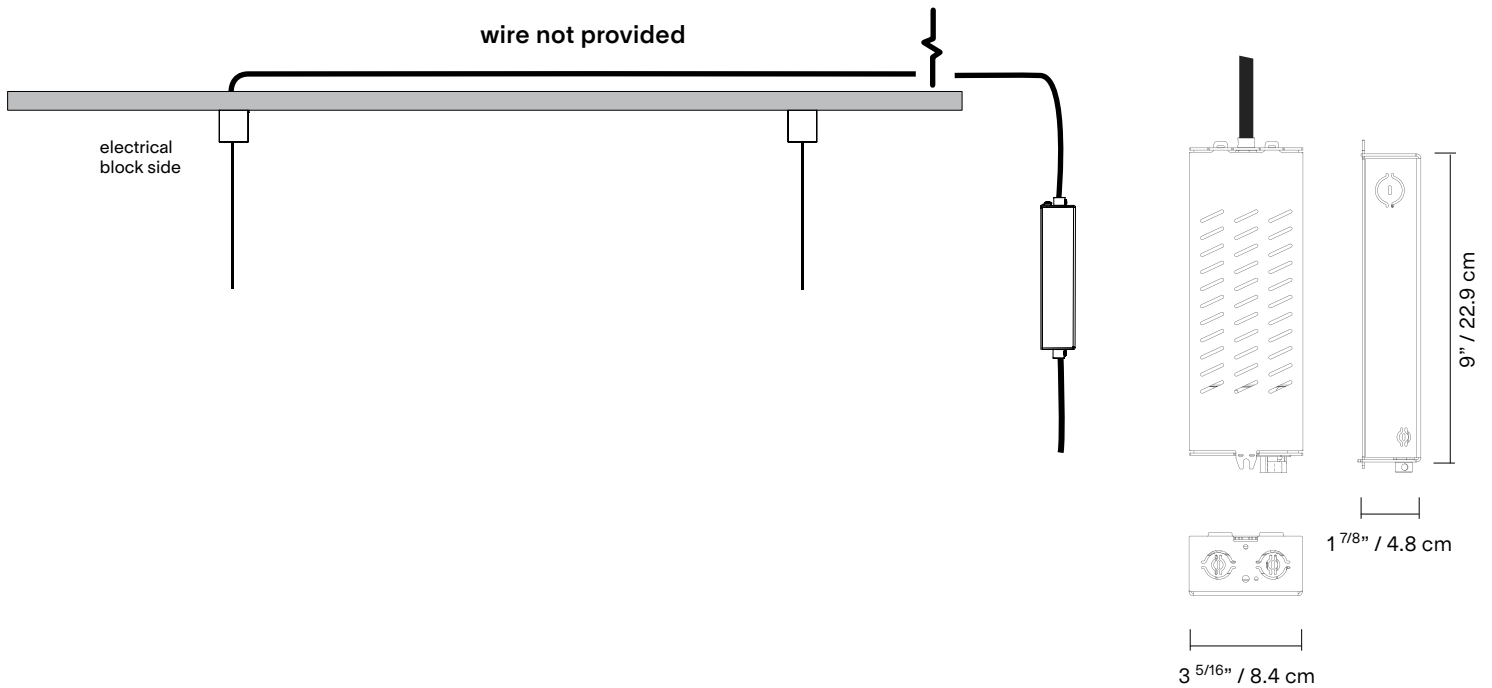
- The canopy can be offset from composition.
- Luminaire total height (ceiling to lowest point of luminaire).
Min - 51.5" / 131 cm
Max - 100" / 254 cm
*For any height outside these parameters, contact Lambert & Fils.
- Luminaire height is adjustable on site.
- Luminaire cannot be installed on a slanted ceiling.
- Ceiling anchors can be used as junction boxes for daisy chain. If needed, please inform your representative.
- Dimensions are approximate and may vary slightly.



SM- Surface mounted



RM-Remote driver



*housing not necessary for Phase Dimming 220-240VAC (only driver provided)

REMOTE DRIVER HOUSING

Must be accessible for maintenance in a well aerated location for heat dissipation

Use the following chart to determine proper wiring gauge according to the distance to its location.

GAUGE

18AWG (0.75mm²)
 16AWG (1.5mm²)
 14AWG (2.5mm²)
 12AWG (4mm²)

MAX ALLOWABLE DISTANCE

85 ft. / (26 m)
 136 ft. / (41 m)
 216 ft. / (66 m)
 343 ft. / (105 m)

MATERIAL



AL
Polished
aluminum



BM
Black
marquina
marble



GU
Guatemala
green
marble



PI
Pink
portugal
marble



RL
Red
levanto
marble



RN
Red
negrais
marble

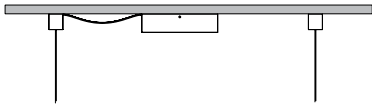
CORD



BK
Black

MOUNTING

SM
Surface mounted



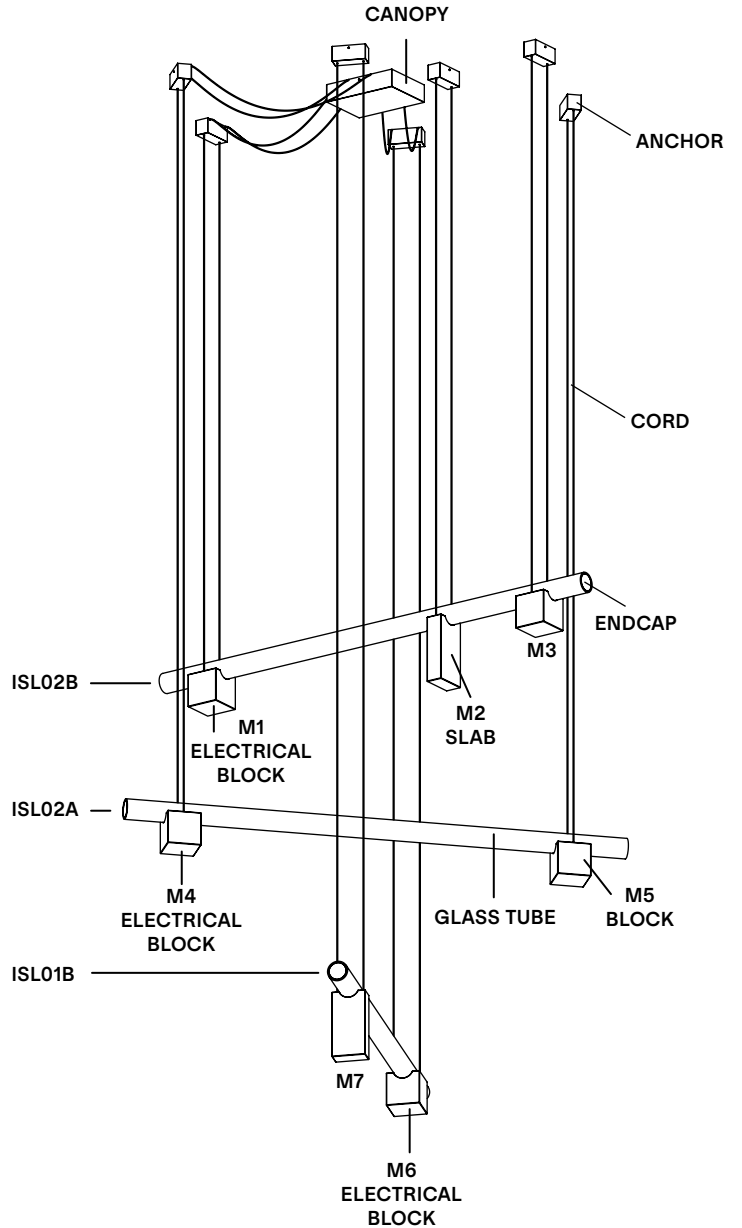
RM
Remote Driver



NOTES

- Must be installed by an electrician
- LED may only be changed by Lambert & Fils or other authorized personnel
- Not protected against liquids (refer to IP20)
- Additional charges for modifications or for special orders
- Please refer to maintenance sheet on our website for cleaning instructions

LAMP ANATOMY



		Example	Fill with your selection
COLLECTION	ISL Isle	ISL	ISL
MODEL	12	12	12
MATERIAL	P1 ISL02B - Black Marquina (M1) + Polished Aluminum (M2+M3) ISL02A - Polished Aluminum (M4) + Black Marquina (M5) ISL01B - Black Marquina (M6) + Polished Aluminum (M7) P2 ISL02B - Polished Aluminum (M1) + Black Marquina (M2) + Guatemala Green (M3) ISL02A - Guatemala Green (M4) + Polished Aluminum (M5) ISL01B - Black Marquina (M6) + Polished Aluminum (M7) P3 ISL02B - Red Negrais (M1) + Pink Portugal (M2) + Red Levanto (M3) ISL02A - Red Levanto (M4) + Red Negrais (M5) ISL01B - Pink Portugal (M6) + Red Levanto (M7) P4 ISL02B - Polished Aluminum (M1) + Red Levanto (M2) + Pink Portugal (M3) ISL02A - Pink Portugal (M4) + Polished Aluminum (M5) ISL01B - Red Levanto (M6) + Polished Aluminum (M7)	P1	
CORD	BK Black	BK	BK
CANOPY AND ANCHORS	AL Polished aluminum	AL	AL
MOUNTING	SM Surface mounted RM Remote driver	SM	
COLOUR TEMPERATURE (CCT)	WL Warm light (2700K) NL Neutral light (3000K) D27 Dim to warm (2700K-2200K) D30 Dim to warm (3000K-2200K) CCT Other CCT available upon request*	WL	
DIMMING	ZT 0-10V (120VAC only) PH Phase dimming DA DALI (220-240VAC only)	ZT	
FULL SKU		ISL12P1BKALSMWLZT	

NOTES

*Specific CCT selection only available in 100k increments, from 2200K to 4000K inclusively and not available with Dim-to-Warm feature.

Isle 13








ISLE 13 - COLOUR PALETTE 1

ISL03A: Black Marquina + Polished Aluminum + Black Marquina

ISL02A: Polished Aluminum + Black Marquina

ISL01A: Black Marquina + Polished Aluminum

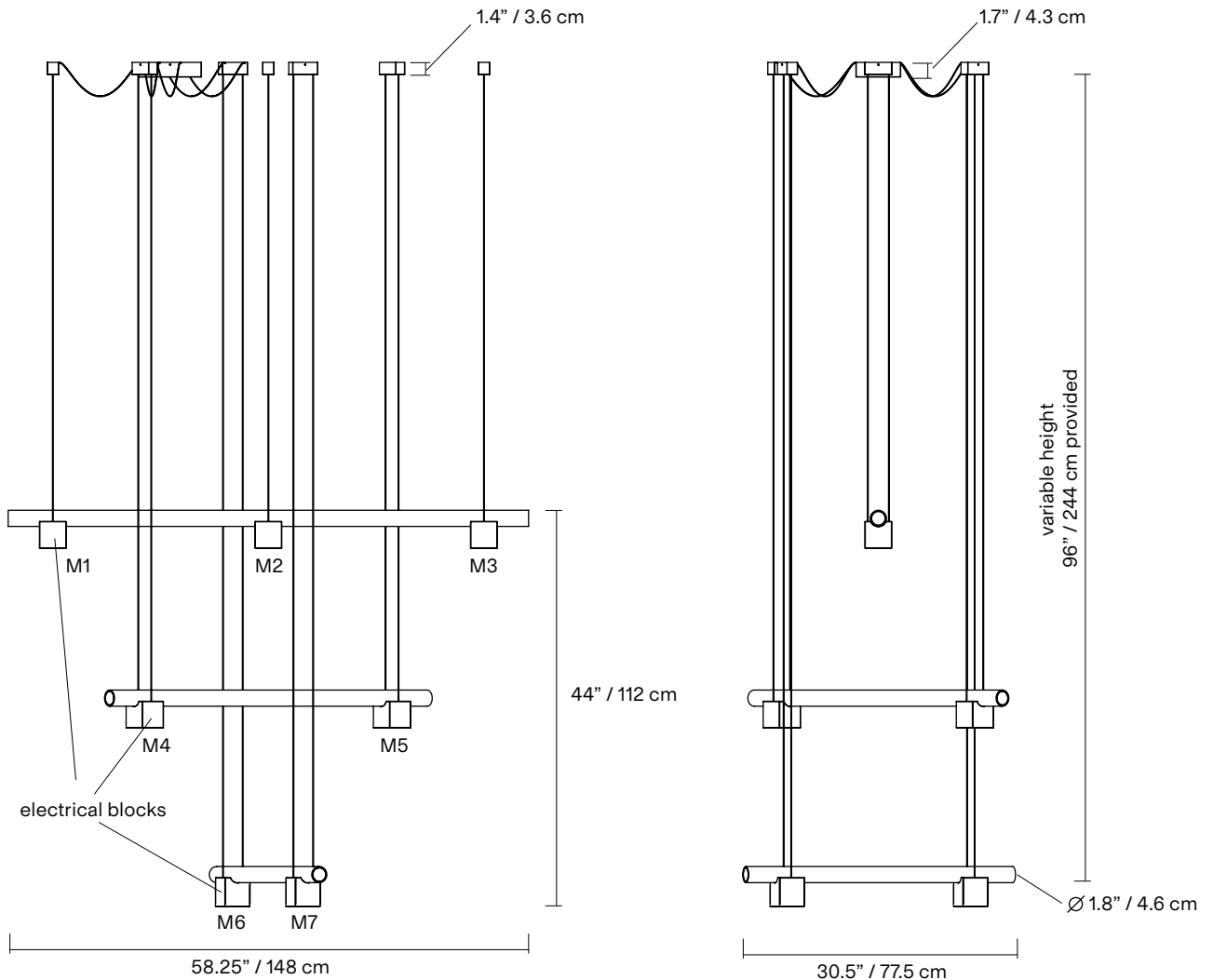
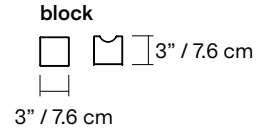
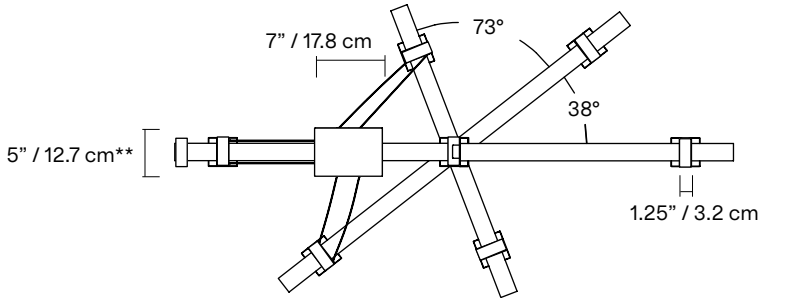
An ode to quiet strength, Isle is a play both on illusion and perception allowing lightness to anchor and foundations to rise. Composed of a delicate glass tube resting on solid-stone and aluminum pedestals and suspended in mid-air like a surreal bridge, Isle is minimal, but never simplistic.

TYPE	Suspension
CONSTRUCTION	Frosted glass tube Polished aluminum or marble block Polished aluminum endcap, canopy and anchors Polyester cord
SPECIFICATIONS	Power consumption: 52W Colour temperature: 3000K 2700K dim to warm 3000K to 2200K dim to warm 2700K to 2200K Lumen output: 2700K - 2815 lm Colour rendering index: ≥90 CRI Colour consistency: 3 SDCM Expected lifetime: ≥50 000h
CONTROL	120/277V on/off, 0-10V, or phase dimming 220-240V: On/Off, Phase Dimming, DALI Refer to our recommended list of dimmer models on page 6
CORD LENGTH	Mains/line cords- 120" / 304 cm Non-electrical cords- 96" / 244 cm
WEIGHT	ISL03A- 17.5lb / 7.9Kg ISL02A- 13.5lb / 6.1Kg ISL01A- 12lb / 5.4Kg
CERTIFICATIONS	     IP20
WARRANTY	2 years

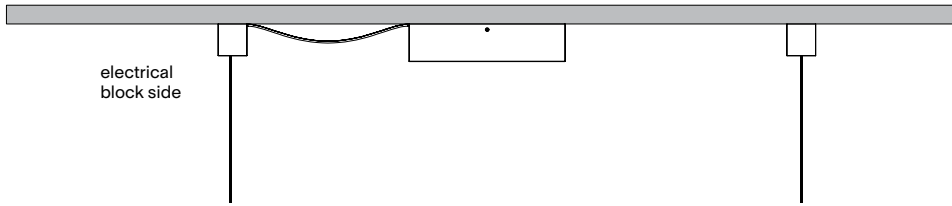
NOTES

- The canopy can be offset from composition.
- Luminaire total height (ceiling to lowest point of luminaire)
Min - 51,5"/131 cm
Max - 100"/254 cm
*For any height outside these parameters, contact Lambert & Fils
- For installation on slanted ceiling, contact Lambert & Fils
- Ceiling anchors can be used as junction boxes for daisy chain. If needed, please inform your representative.
- Dimensions are approximate and may vary slightly

The canopy cannot be installed in the center of the proposed composition.

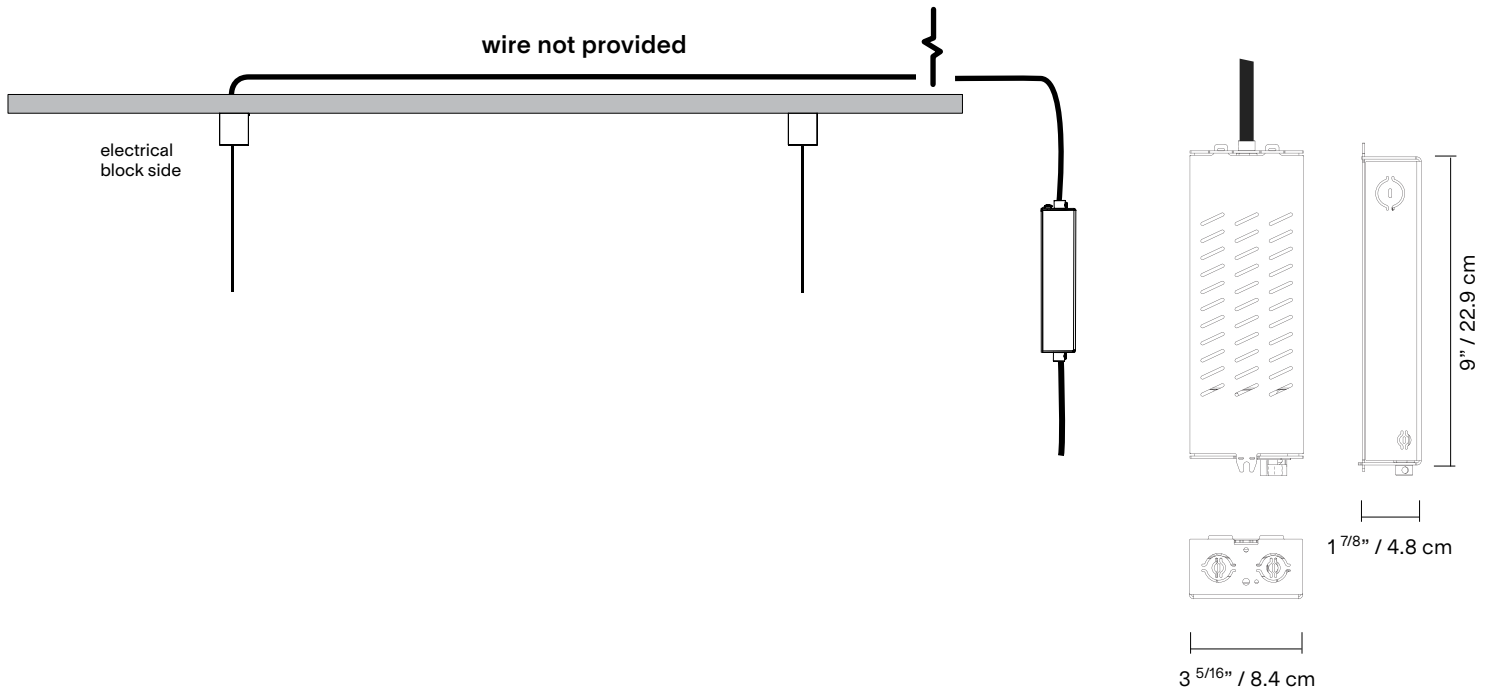


SM- Surface mounted



electrical
block side

RM-Remote driver



wire not provided

electrical
block side

*housing not necessary for
Phase Dimming 220-240VAC
(only driver provided)

REMOTE DRIVER HOUSING

Must be accessible for maintenance in a well aerated location for heat dissipation

Use the following chart to determine proper wiring gauge according to the distance to its location.

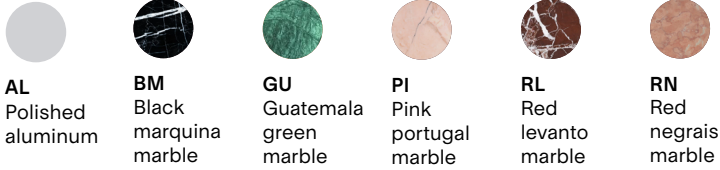
GAUGE

18AWG (0.75mm²)
16AWG (1.5mm²)
14AWG (2.5mm²)
12AWG (4mm²)

MAX ALLOWABLE DISTANCE

85 ft. / (26 m)
136 ft. / (41 m)
216 ft. / (66 m)
343 ft. / (105 m)

MATERIAL

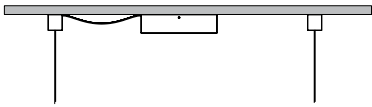


CORD

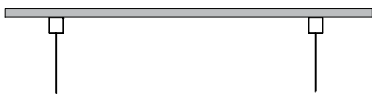


MOUNTING

SM
Surface mounted



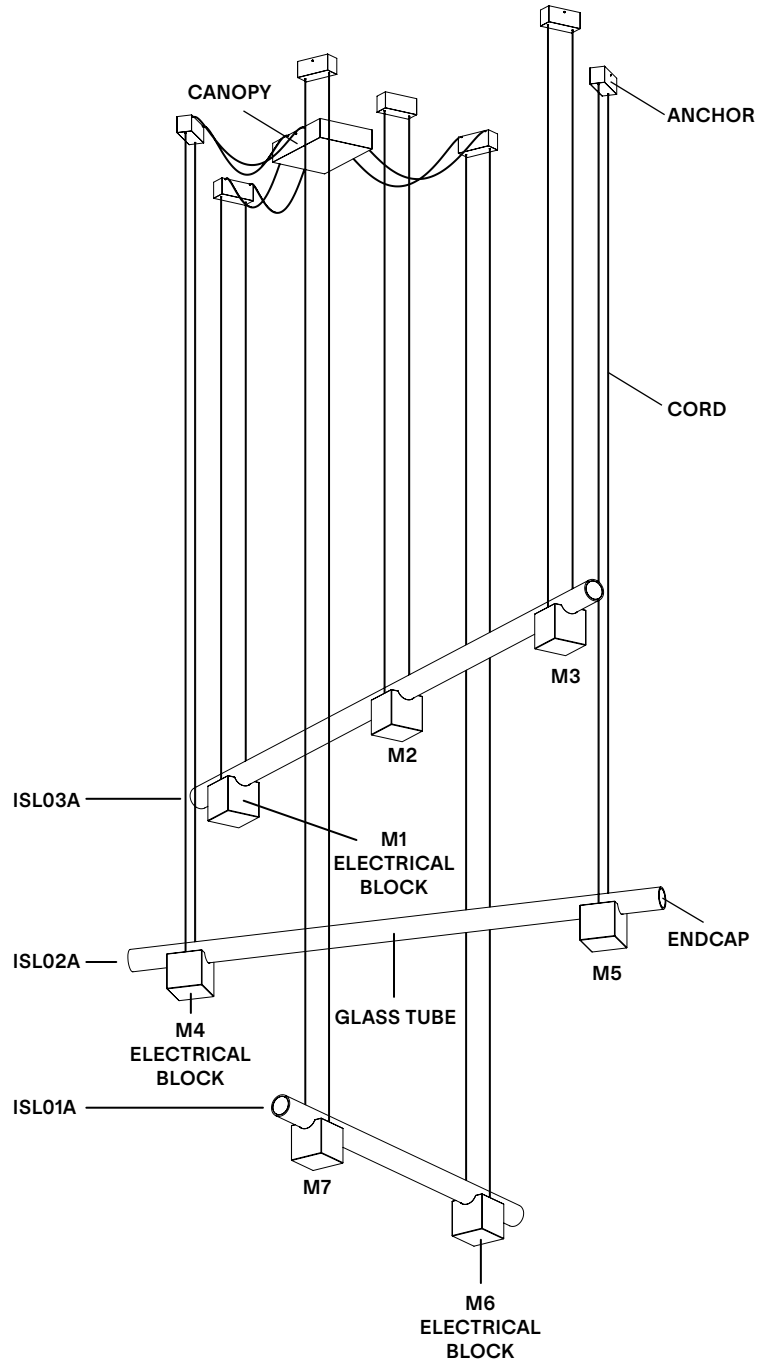
RM
Remote Driver



NOTES

- Must be installed by an electrician
- LED may only be changed by Lambert & Fils or other authorized personnel
- Not protected against liquids (refer to IP20)
- Additional charges for modifications or for special orders
- Please refer to maintenance sheet on our website for cleaning instructions

LAMP ANATOMY



		Example	Fill with your selection
COLLECTION	ISL Isle	ISL	ISL
MODEL	13	13	13
MATERIAL	<p>P1 ISL03A - Black Marquina (M1) + Polished Aluminum (M2) + Black Marquina (M3) ISL02A - Polished Aluminum (M4) + Black Marquina (M5) ISL01A - Black Marquina (M6) + Polished Aluminum (M7)</p> <p>P2 ISL03A - Black Marquina (M1) + Polished Aluminum (M2) + Guatemala Green (M3) ISL02A - Polished Aluminum (M4) + Black Marquina (M5) ISL01A - Guatemala Green (M6) + Polished Aluminum (M7)</p> <p>P3 ISL03A - Red Negrais (M1) + Polished Aluminum (M2) + Pink Portugal (M3) ISL02A - Polished Aluminum (M4) + Red Negrais (M5) ISL01A - Pink Portugal (M6) + Polished Aluminum (M7)</p> <p>P4 ISL03A - Polished Aluminum (M1) + Pink Portugal (M2) + Red Levanto (M3) ISL02A - Red Levanto (M4) + Polished Aluminum (M5) ISL01A - Polished Aluminum (M6) + Pink Portugal (M7)</p>	P1	
CORD	BK Black	BK	BK
CANOPY AND ANCHORS	AL Polished aluminum	AL	AL
MOUNTING	SM Surface mounted RM Remote driver	SM	
COLOUR TEMPERATURE (CCT)	WL Warm light (2700K) NL Neutral light (3000K) D27 Dim to warm (2700K-2200K) D30 Dim to warm (3000K-2200K) CCT Other CCT available upon request*	WL	
DIMMING	ZT 0-10V (120VAC only) PH Phase dimming DA DALI (220-240VAC only)	ZT	
FULL SKU		ISL13P1BKALSMWLZT	

NOTES

*Specific CCT selection only available in 100k increments, from 2200K to 4000K inclusively and not available with Dim-to-Warm feature.

Isle 15








ISLE 15 - COLOUR PALETTE 1

ISL01B: Guatemala Green + Polished Aluminum

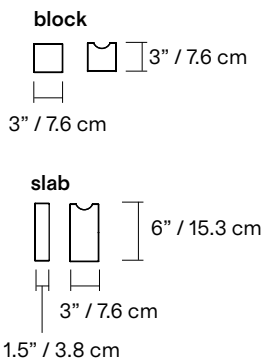
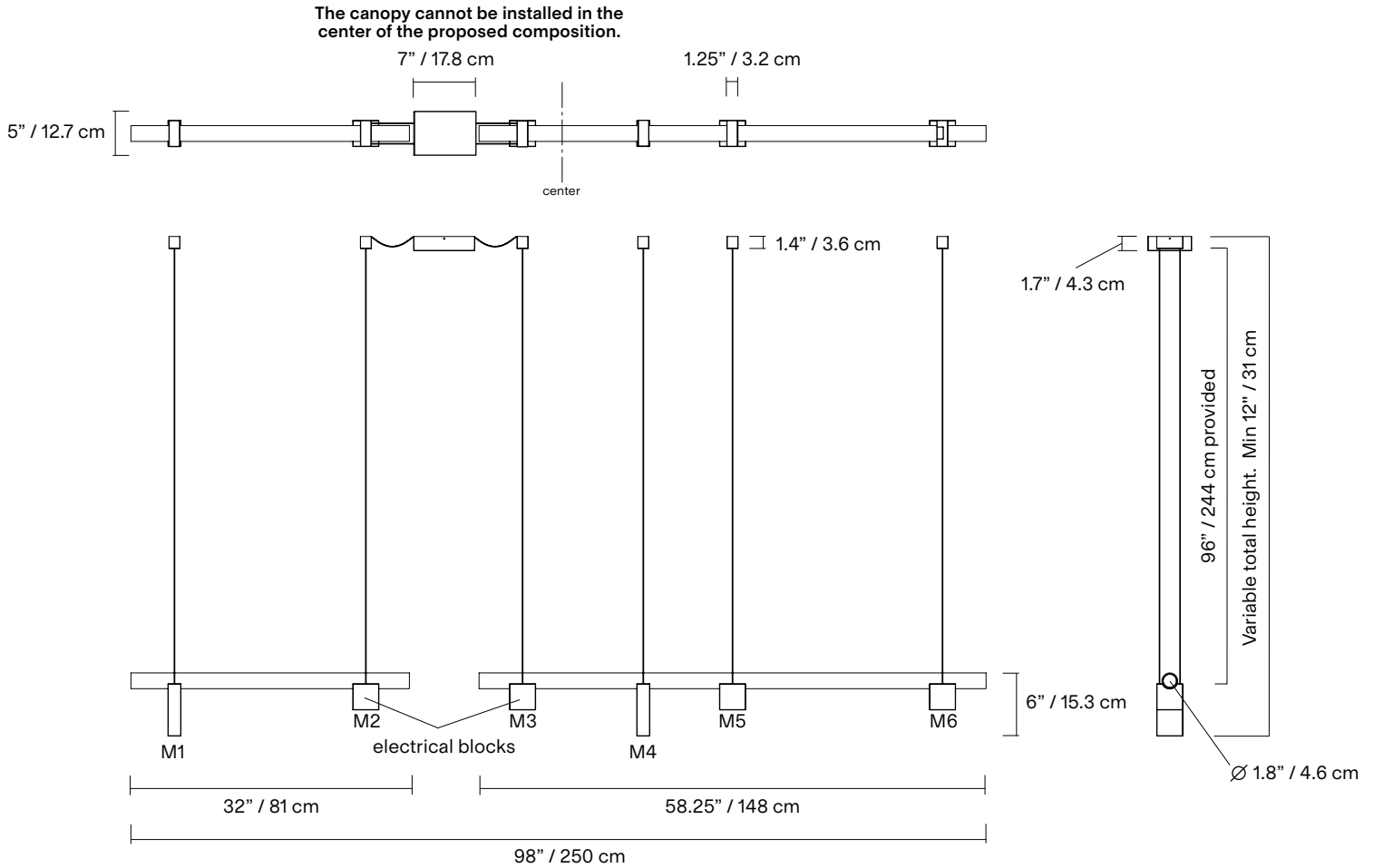
ISL03B: Black Marquina + Polished Aluminum + Guatemala Green + Polished Aluminum

An ode to quiet strength, Isle is a play both on illusion and perception allowing lightness to anchor and foundations to rise. Composed of a delicate glass tube resting on solid-stone and aluminum pedestals and suspended in mid-air like a surreal bridge, Isle is minimal, but never simplistic.

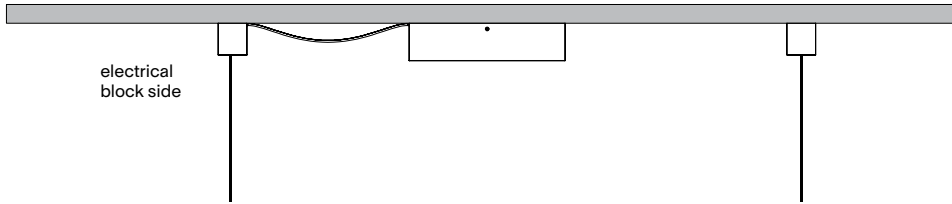
TYPE	Suspension
CONSTRUCTION	Frosted glass tube Polished aluminum or marble block Polished aluminum endcap, canopy and anchors Polyester cord
SPECIFICATIONS	Power consumption: 52W Colour temperature: 3000K 2700K dim to warm 3000K to 2200K dim to warm 2700K to 2200K Lumen output: 2700K - 2815 lm Colour rendering index: ≥90 CRI Colour consistency: 3 SDCM Expected lifetime: ≥50 000h
CONTROL	120/277V on/off, 0-10V, or phase dimming 220-240V: On/Off, Phase Dimming, DALI Refer to our recommended list of dimmer models on page 6
CORD LENGTH	Mains/line cord- 120" / 304 cm Non-electrical cord- 96" / 244 cm
WEIGHT	ISL01B- 12lb / 5.4Kg ISL03B- 20.5lb / 9.3Kg
CERTIFICATIONS	     IP20
WARRANTY	2 years

NOTES

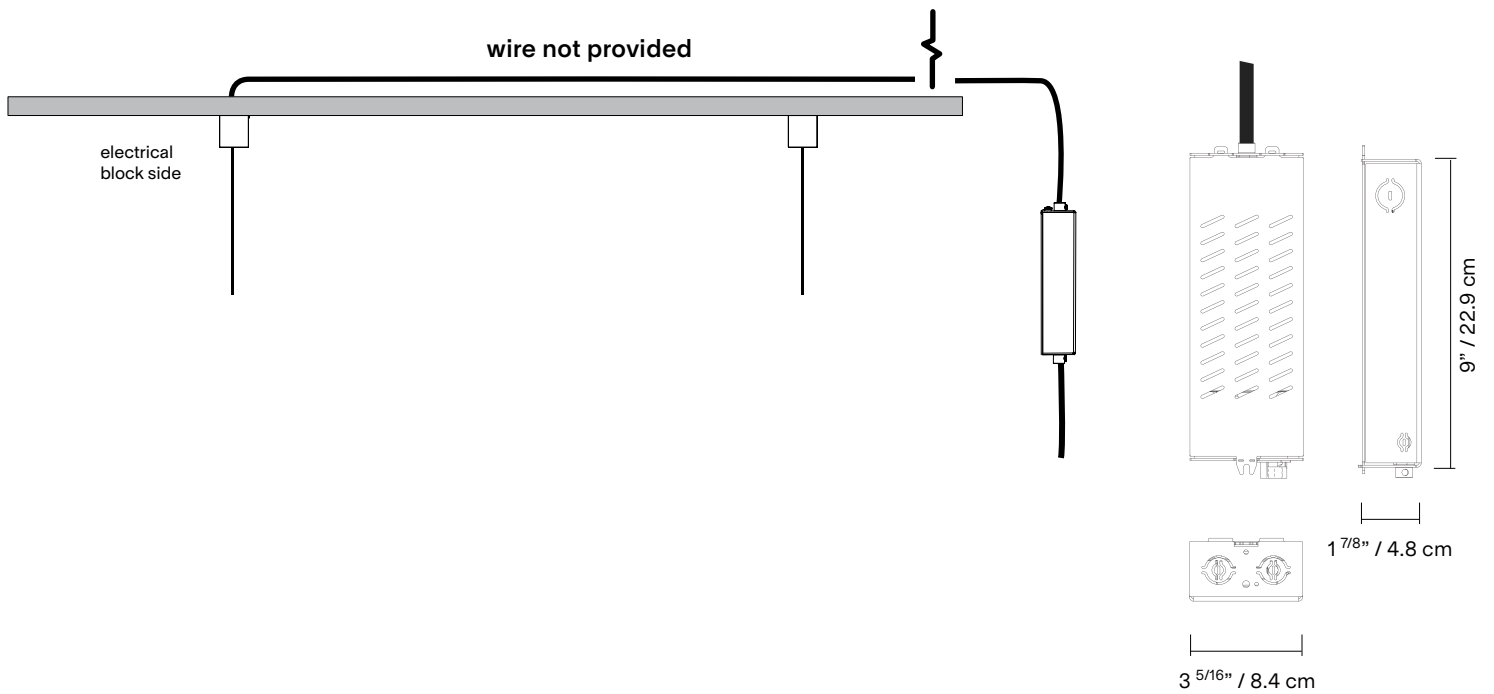
- The canopy can be offset from composition.
- Luminaire total height (ceiling to lowest point of luminaire).
Min - 12"/ 31 cm
Max - 100"/ 254 cm
*For any height outside these parameters, contact Lambert & Fils.
- Luminaire height is adjustable on site.
- For installation on slanted ceilings contact Lambert & Fils..
- Ceiling anchors can be used as junction boxes for daisy chain. If needed, please inform your representative.
- Dimensions are approximate and may vary slightly.



SM- Surface mounted



RM-Remote driver



*housing not necessary for Phase Dimming 220-240VAC (only driver provided)

REMOTE DRIVER HOUSING

Must be accessible for maintenance in a well aerated location for heat dissipation

Use the following chart to determine proper wiring gauge according to the distance to its location.

GAUGE

18AWG (0.75mm²)
 16AWG (1.5mm²)
 14AWG (2.5mm²)
 12AWG (4mm²)

MAX ALLOWABLE DISTANCE

85 ft. / (26 m)
 136 ft. / (41 m)
 216 ft. / (66 m)
 343 ft. / (105 m)

MATERIAL



AL
Polished
aluminum



BM
Black
marquina
marble



GU
Guatemala
green
marble



PI
Pink
portugal
marble



RL
Red
levanto
marble



RN
Red
negrais
marble

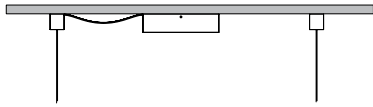
CORD



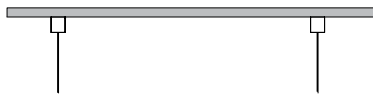
BK
Black

MOUNTING

SM
Surface mounted



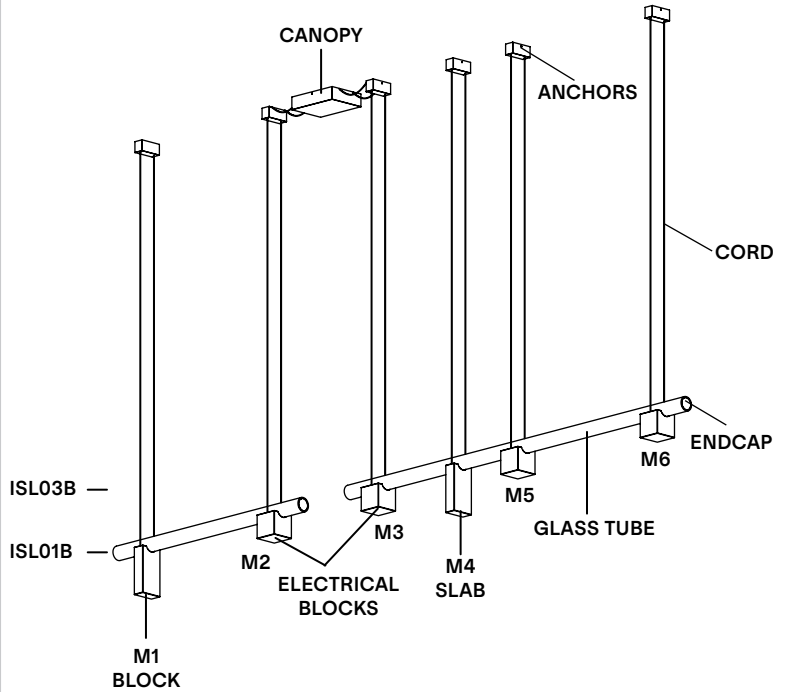
RM
Remote Driver



NOTES

- Must be installed by an electrician
- LED may only be changed by Lambert & Fils or other authorized personnel
- Not protected against liquids (refer to IP20)
- Additional charges for modifications or for special orders
- Please refer to maintenance sheet on our website for cleaning instructions

LAMP ANATOMY



		Example	Fill with your selection
COLLECTION	ISL Isle	ISL	ISL
MODEL	15	15	15
MATERIAL (Electrical block always polished aluminum)	P1 ISL01B - Guatemala Green (M1) + Polished Aluminum (M2) ISL03B - Black Marquina (M3) + Polished Aluminum (M4) + Guatemala Green (M5) + Polished Aluminum (M6) P2 ISL01B - Polished Aluminum (M1) + Guatemala Green (M2) ISL03B - Black Marquina (M3) + Polished Aluminum (M4) + Red Negrais (M5) + Guatemala Green (M6) P3 ISL01B - Red Levanto (M1) + Red Negrais (M2) ISL03B - Pink Portugal (M3) + Red Levanto (M4) + Pink Portugal (M5) + Red Negrais (M6) P4 ISL01B - Polished Aluminum (M1) + Pink Portugal (M2) ISL03B - Red Levanto (M3) + Polished Aluminum (M4) + Red Levanto (M5) + Pink Portugal (M6) AL All models Polished Aluminum ISL01B - Polished Aluminum (M1, M2) ISL03B - Polished Aluminum (M3, M4,M5)	P1	
CORD	BK Black	BK	BK
CANOPY AND ANCHORS	AL Polished aluminum	AL	AL
MOUNTING	SM Surface mounted RM Remote driver	SM	
COLOUR TEMPERATURE (CCT)	WL Warm light (2700K) NL Neutral light (3000K) D27 Dim to warm (2700K-2200K) D30 Dim to warm (3000K-2200K) CCT Other CCT available upon request*	WL	
DIMMING	ZT 0-10V (120VAC only) PH Phase dimming DA DALI (220-240VAC only)	ZT	
FULL SKU		ISL15P1BKALSMWLZT	

NOTES

*Specific CCT selection only available in 100k increments, from 2200K to 4000K inclusively and not available with Dim-to-Warm feature.

Isle 16








ISLE 16 - COLOUR PALETTE 1

ISL03A: Polished Aluminum + Polished Aluminum + Black Marquina

ISL02A: Polished Aluminum + Black Marquina

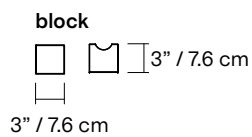
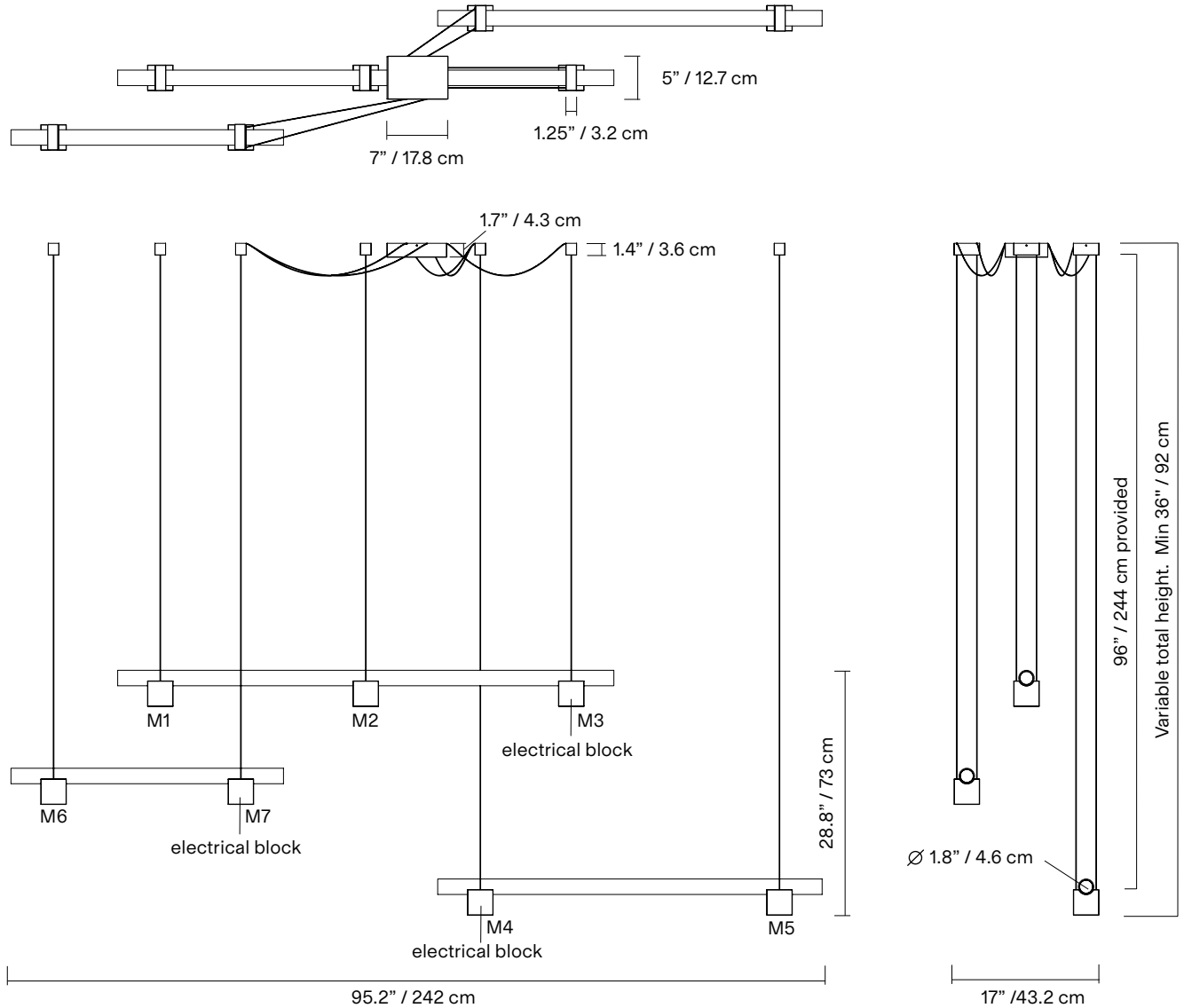
ISL01A: Polished Aluminum + Black Marquina

An ode to quiet strength, Isle is a play both on illusion and perception allowing lightness to anchor and foundations to rise. Composed of a delicate glass tube resting on solid-stone and aluminum pedestals and suspended in mid-air like a surreal bridge, Isle is minimal, but never simplistic.

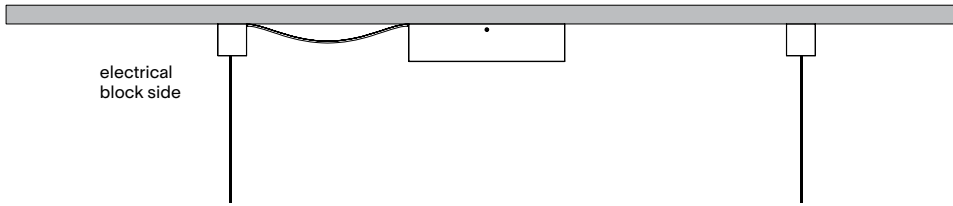
TYPE	Suspension
CONSTRUCTION	Frosted glass tube Polished aluminum or marble block Polished aluminum endcap, canopy and anchors Polyester cord
SPECIFICATIONS	Power consumption: 52W Colour temperature: 3000K 2700K dim to warm 3000K to 2200K dim to warm 2700K to 2200K Lumen output: 2700K - 2815 lm Colour rendering index: ≥90 CRI Colour consistency: 3 SDCM Expected lifetime: ≥50 000h
CONTROL	120/277V on/off, 0-10V, or phase dimming 220-240V: On/Off, Phase Dimming, DALI Refer to our recommended list of dimmer models on page 6
CORD LENGTH	Mains/line cords- 120" / 304 cm Non-electrical cords- 96" / 244 cm
WEIGHT	ISL03A- 17.5lb / 7.9Kg ISL02A- 13.5lb / 6.1Kg ISL01A- 12lb / 5.4Kg
CERTIFICATIONS	     IP20
WARRANTY	2 years

NOTES

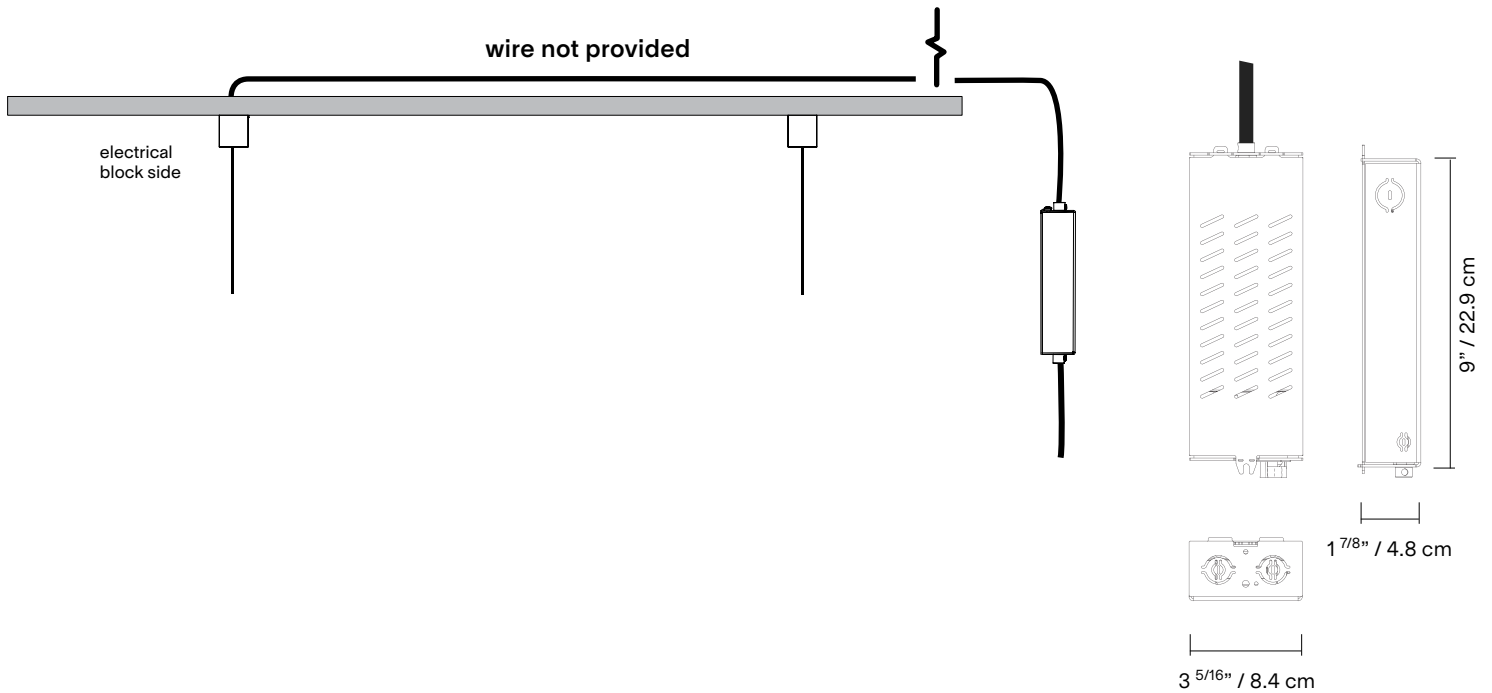
- The canopy can be offset from composition.
- Luminaire total height (ceiling to lowest point of luminaire).
Min - 36" / 92 cm
Max - 100" / 254 cm
*For any height outside these parameters, contact Lambert & Fils.
- Luminaire height is adjustable on site.
- For installation on slanted ceilings, contact Lambert & Fils.
- Ceiling anchors can be used as junction boxes for daisy chain. If needed, please inform your representative.
- Dimensions are approximate and may vary slightly.



SM- Surface mounted



RM-Remote driver



*housing not necessary for Phase Dimming 220-240VAC (only driver provided)

REMOTE DRIVER HOUSING

Must be accessible for maintenance in a well aerated location for heat dissipation

Use the following chart to determine proper wiring gauge according to the distance to its location.

GAUGE

18AWG (0.75mm²)
 16AWG (1.5mm²)
 14AWG (2.5mm²)
 12AWG (4mm²)

MAX ALLOWABLE DISTANCE

85 ft. / (26 m)
 136 ft. / (41 m)
 216 ft. / (66 m)
 343 ft. / (105 m)

MATERIAL

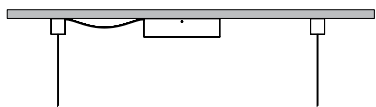


CORD



MOUNTING

SM
Surface mounted



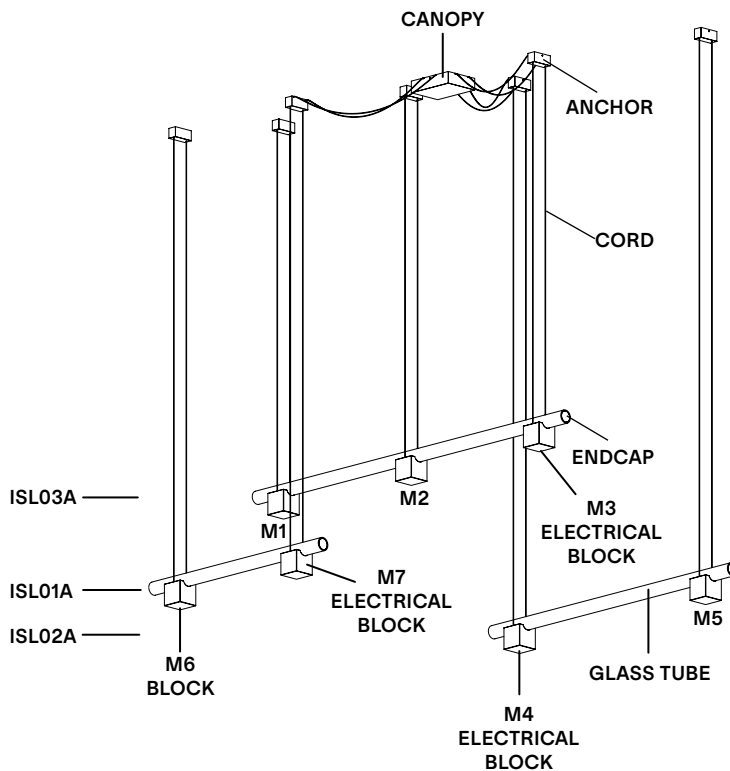
RM
Remote Driver



NOTES

- Must be installed by an electrician
- LED may only be changed by Lambert & Fils or other authorized personnel
- Not protected against liquids (refer to IP20)
- Additional charges for modifications or for special orders
- Please refer to maintenance sheet on our website for cleaning instructions

LAMP ANATOMY



		Example	Fill with your selection
COLLECTION	ISL Isle	ISL	ISL
MODEL	16	16	16
MATERIAL	P1 ISL03A- Polished Aluminum (M1) + Polished Aluminum (M2) + Black Marquina (M3) ISL02A- Polished Aluminum (M4) + Black Marquina (M5) ISL01A- Polished Aluminum (M6) + Black Marquina (M7) P2 ISL03A- Polished Aluminum (M1) + Black Marquina (M2) + Guatemala Green (M3) ISL02A- Polished Aluminum (M4) + Black Marquina (M5) ISL01A- Polished Aluminum (M6) + Guatemala Green (M7) P3 ISL03A- Red Levanto (M1) + Polished Aluminum (M2) + Pink Portugal (M3) ISL02A- Polished Aluminum (M4) + Red Levanto (M5) ISL01A- Polished Aluminum (M6) + Pink Portugal (M7) P4 ISL03A- Black Marquina (M1) + Polished Aluminum (M2) + Red Negrais (M3) ISL02A- Polished Aluminum (M4) + Black Marquina (M5) ISL01A- Polished Aluminum (M6) + Pink Portugal (M7)	P1	
CORD	BK Black	BK	BK
CANOPY AND ANCHORS	AL Polished aluminum	AL	AL
MOUNTING	SM Surface mounted RM Remote driver	SM	
COLOUR TEMPERATURE (CCT)	WL Warm light (2700K) NL Neutral light (3000K) D27 Dim to warm (2700K-2200K) D30 Dim to warm (3000K-2200K) CCT Other CCT available upon request*	WL	
DIMMING	ZT 0-10V (120VAC only) PH Phase dimming DA DALI (220-240VAC only)	ZT	
FULL SKU		ISL16AP1BKALSMWLZT	
		NOTES	

*Specific CCT selection only available in 100k increments, from 2200K to 4000K inclusively and not available with Dim-to-Warm feature.

TESTED DIMMER COMPATIBILITY LIST - 120V

Compatible with ELV dimming (Trailing Edge / Reverse Phase).

We strongly recommend using dimmers that require a Neutral wire connection.

DIMMER BRAND	MODEL	MAX LEVEL	MIN LEVEL	DIMMING PROTOCOL
Lutron	DVELV-300P	95%	5%	Phase Cut
Lutron	DVELV-303P	95%	5%	Phase Cut
Lutron	CTELV-303P	93%	4%	Phase Cut
Lutron	SELV-300P	97%	3%	Phase Cut
Lutron	SELV-303P	97%	3%	Phase Cut
Lutron	MA-PRO / companion (MA-R-WH)	99%	2%	Phase Cut
Lutron	PD-5NE	100%	5%	Phase Cut
Lutron	PD-6WCL	100%	5%	Phase Cut
Lutron	DVRP-253P	94%	3%	Phase Cut
Lutron	CTRP-253P	90%	2%	Phase Cut
Lutron	NTELV-300	94%	2%	Phase Cut

Some dimmers require a minimum load, check specifications.

We recommend conducting your own test before final installation.
