


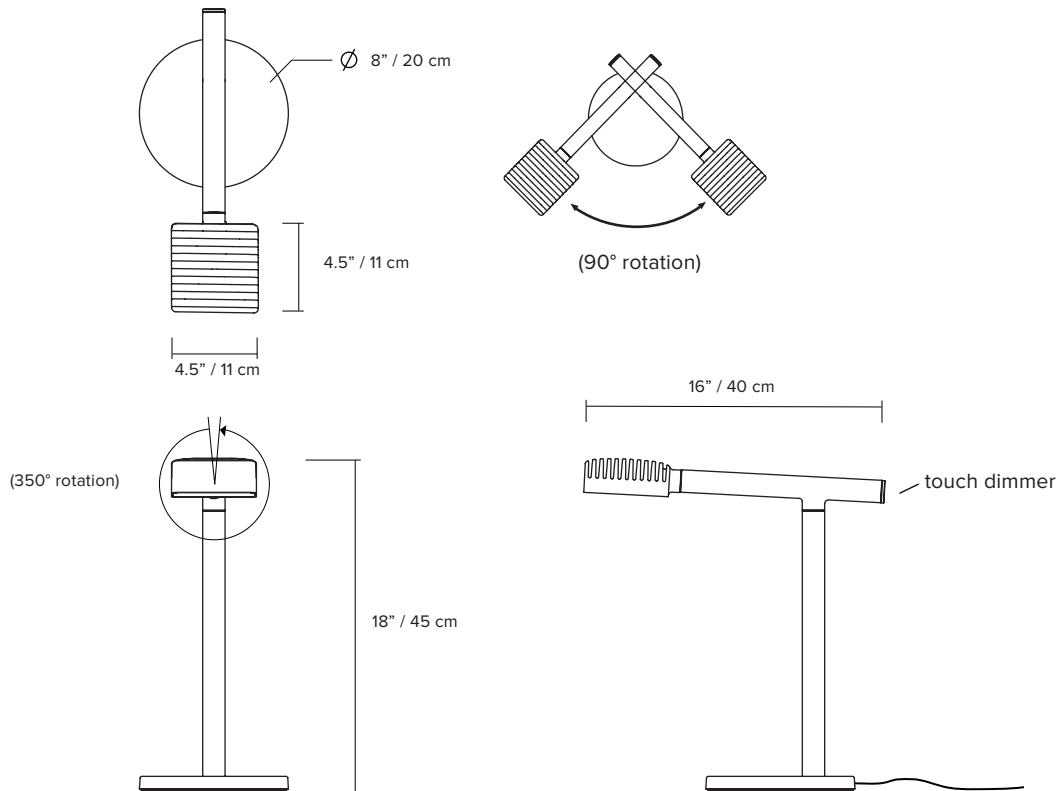




## DORVAL 02

Based on SCMP DESIGN OFFICE's original pendant prototype Dorval 01, this collection is layered in history, a subtle interplay between contemporary and vintage industrial design. Drawing equal inspiration from airport runway lights and the classic Motobecane french moped, the result is a light both confrontational and intriguing—one which poses an immediate invitation to play.

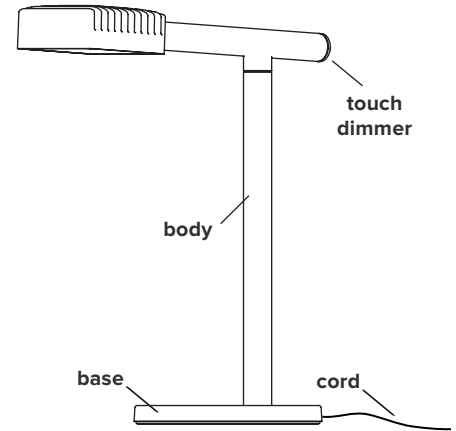
- type:** task lamp
- construction:** powder coated or polished aluminum body, head and base  
clear prismatic PMMA lens  
PVC cord
- specifications:** source: LED array, integrated  
power consumption: 5W  
color temperature: Lamp is set to dim to warm mode  
(3000K to 2200K)  
Fix CCT available, refer to touch dimmer  
control page  
lumen output: 3000K - 402 lm  
colour rendering index:  $\geq 90$  CRI  
colour consistency: 3 SDCM  
expected lifetime:  $\geq 50\ 000$ h
- control:** 90-264VAC Plug-in Driver, integrated touch dimmer
- cord length:** 96" / 244 cm
- certifications:**    IP20
- warranty:** 2 years



\*dimensions are approximate and may vary slightly

## ORDER GUIDE: SKU

COLLECTION	MODEL	FINISH	CORD
DOR	02	BK	BK
		WH	WH
		MB	MB
		LB	LB
		BG	BG
		AL	AL
DOR	02	BK	BK = DOR02BKBK example



### FINISH



### NOTES:

- LED may only be changed by Lambert & Fils or other authorized personnel
- not protected against liquids (refer to IP20)
- additional charges for modifications or for special orders
- please refer to maintenance sheet on our website for cleaning instructions

## TOUCH DIMMER CONTROL

### GENERAL NOTES

The touch dimmer is located on the end cap of the horizontal arm.  
The luminaire is preset to dim-to-warm mode (3000K-2200K). Other options available, refer to programming section below.  
When plugging in the luminaire, wait 5 seconds before touching the sensitive end cap.

### STANDARD OPERATIONS

1 or 2 touches = Turn ON/OFF

1 constant touch when light is OFF = Light dims up from 0%

1 constant touch when light is ON = Light dims up/down alternatively

3 touches = Turn ON 100%

### PROGRAMMING

4 touches = Cycle color temperature (CCT) value between 2200K-2700K-3000K-3500K-4000K.  
Repeat the 4 touches in between each value. Light will blink to indicate it has switched from a value to the other.

5 touches = Set to dim-to-warm mode ( 3000K to 2200K). Light will blink two times to indicate it has recorded the value.

