

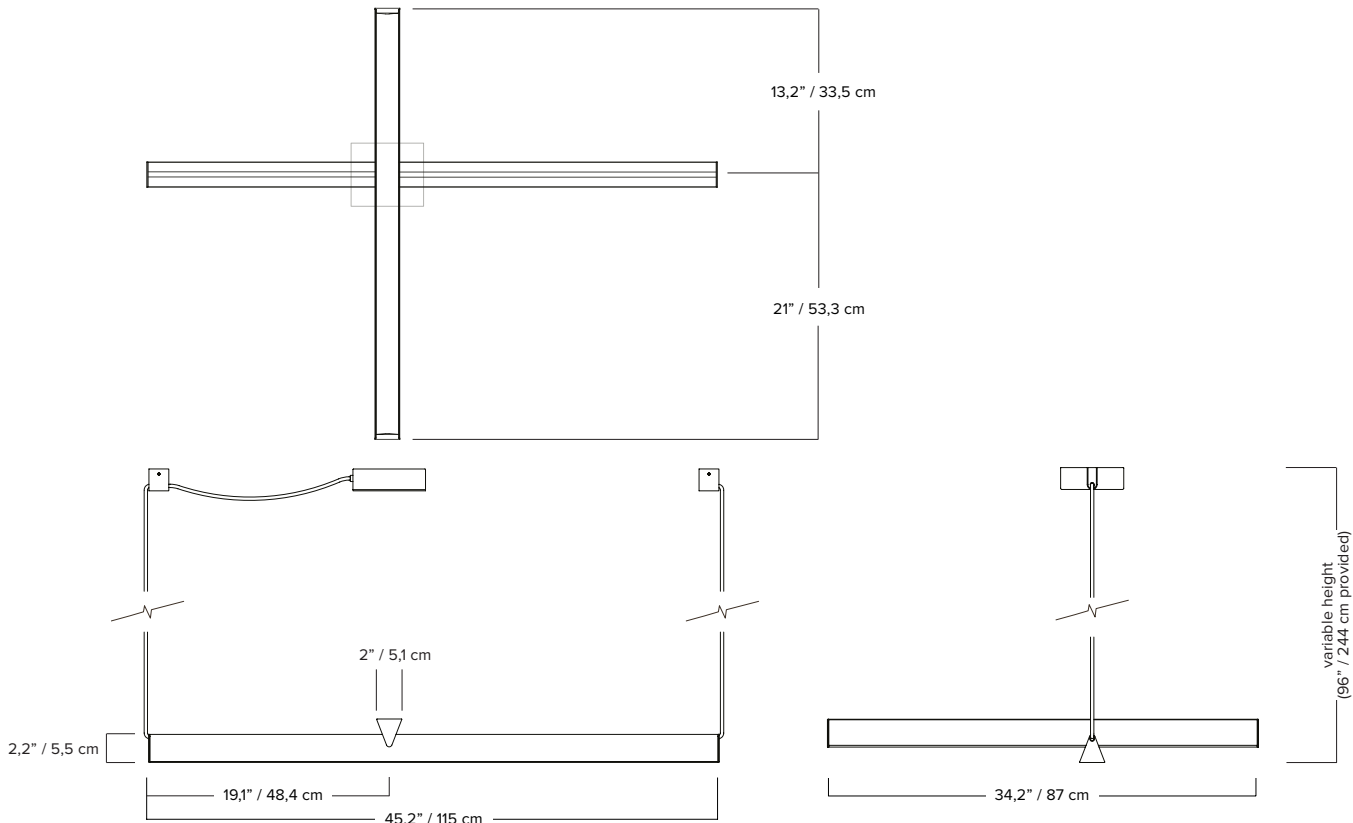




MILE 01

A collaboration between Lambert & Fils and Guillaume Sasseville, Mile offers a variation on the linear suspension, pared down to its simplest, asymmetrical expression, with two lines floating in surprising equilibrium. Direct and indirect light are separated by a 90° pivot, thus marking out space with light. A play on contrasts, Mile is part art installation and part utilitarian light. The use of linear LED technology and the cords clamped into the structure add to the weightless, almost levitating feel of the lamp.

- type:** suspension
- construction:** powder coated or polished aluminum body
powder coated or polished steel anchors
powder coated steel canopy
frosted acrylic diffuser
polyester cord
- specifications:** source: LED array, integrated
power consumption: 40W
lumen output: LED 2700K - 3097lm
LED 3000K - 3191lm
light distribution: 43% Up, 57% Down
colour rendering index: ≥ 90 CRI
colour consistency: 3 SDCM
expected lifetime: $\geq 50\ 000$ h
- control:** 120/277V on/off, 0-10V or phase dimming (120V only)
220-240V: On/Off, Phase Dimming, DALI
refer to our recommended list of dimmer models
- cord length:** mains/line cord - 120" / 304 cm
non-electrical cord - 96" / 244 cm
- weight:** 7.2 lb / 3.3 kg
- certifications:**     IP20
- warranty:** 2 years



*dimensions are approximate and may vary slightly

ORDER GUIDE: SKU

| COLLECTION | MODEL | BODY, CORD AND ANCHOR | | CANOPY | | COLOUR TEMPERATURE (CCT) | | DIMMING | |
|------------|--------------|-----------------------|--------------------|--------------------|--|--------------------------------------|--|---------|--|
| MIL | Mile | 01 LV | BK black | BK black | WL warm light (2700K) | ZT 0-10V dimming (120V only) | | | |
| | | | BG beige | BG beige | NL neutral light (3000K) | PH phase dimming | | | |
| | | | BU burgundy | BU burgundy | D27 dim to warm (2700K to 2200K) | DA DALI (220-240V only) | | | |
| | | | GN green | GN green | D30 dim to warm (3000K to 2200K) | | | | |
| | | | WH white | WH white | CCT other CCT available upon request* | | | | |
| | | | AL aluminum | | | | | | |
| MIL | 01 LV | BK | BK | WL | ZT | = MIL01LVBKKBKWLZT example | | | |

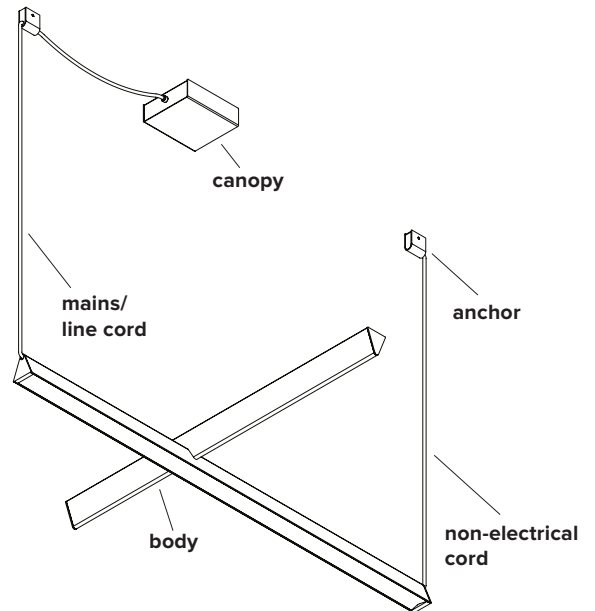
* Specific CCT selection only available in 100K increments, from 2200K to 4000K inclusively. Not available with Dim-to-Warm feature.

FINISH



NOTES

- must be installed by an electrician
- LED may only be changed by Lambert & Fils or other authorized personnel
- not protected against liquids (refer to IP20)
- additional charges for modifications or for special orders
- please refer to maintenance sheet on website for cleaning instructions

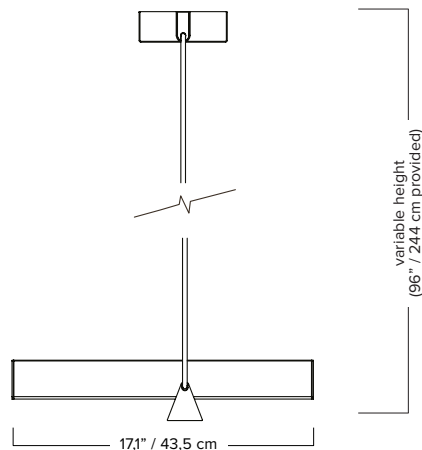
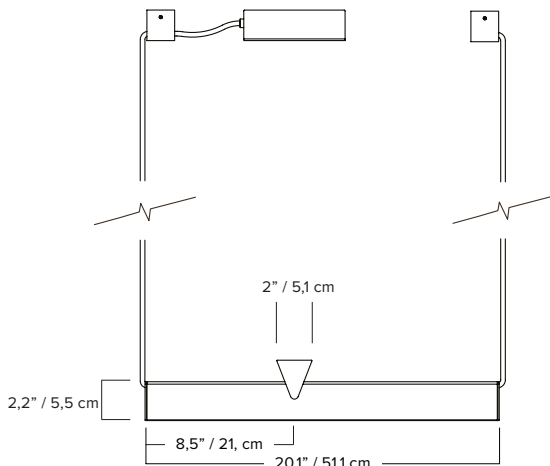
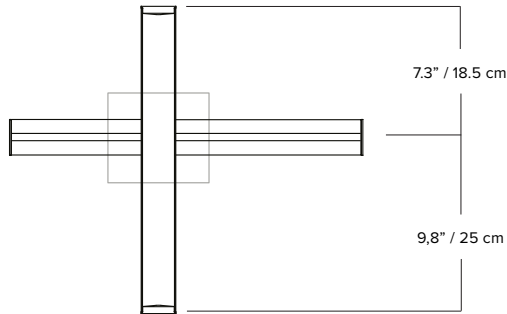




MILE 02

A collaboration between Lambert & Fils and Guillaume Sasseville, Mile offers a variation on the linear suspension, pared down to its simplest, asymmetrical expression, with two lines floating in surprising equilibrium. Direct and indirect light are separated by a 90° pivot, thus marking out space with light. A play on contrasts, Mile is part art installation and part utilitarian light. The use of linear LED technology and the cords clamped into the structure add to the weightless, almost levitating feel of the lamp.

| | |
|------------------------|---|
| type: | suspension |
| construction: | powder coated or polished aluminum body powder coated or polished steel anchors powder coated steel canopy frosted acrylic diffuser polyester cord |
| specifications: | source: LED array, integrated power consumption: 19W lumen output: LED 2700K - 1395lm LED 3000K - 1436lm light distribution: 46% Up, 54% Down colour rendering index: ≥90 CRI colour consistency: 3 SDCM expected lifetime: ≥50 000h |
| control: | 120/277V on/off, 0-10V or phase dimming (120V only) 220-240V: On/Off, Phase Dimming, DALI refer to our recommended list of dimmer models |
| cord length: | mains/line cord - 120" / 304 cm non-electrical cord - 96" / 244 cm |
| weight: | 3.9 lb / 1.8 kg |
| certifications: |     IP20 |
| warranty: | 2 years |



*dimensions are approximate and may vary slightly

ORDER GUIDE: SKU

| COLLECTION | MODEL | BODY, CORD AND ANCHOR | | CANOPY | | COLOUR TEMPERATURE (CCT) | | DIMMING | | |
|------------|-------|-----------------------|----|----------|----|------------------------------|-----|-----------------------------------|----|---------------------------|
| MIL | Mile | O2 LV | BK | black | BK | black | WL | warm light (2700K) | ZT | 0-10V dimming (120V only) |
| | | | BG | beige | BG | beige | NL | neutral light (3000K) | PH | phase dimming |
| | | | BU | burgundy | BU | burgundy | D27 | dim to warm (2700K to 2200K) | DA | DALI (220-240V only) |
| | | | GN | green | GN | green | D30 | dim to warm (3000K to 2200K) | | |
| | | | WH | white | WH | white | CCT | other CCT available upon request* | | |
| | | | AL | aluminum | | | | | | |
| MIL | O2 LV | BK | BK | WL | ZT | = MIL02LVBKWKWLZT example | | | | |

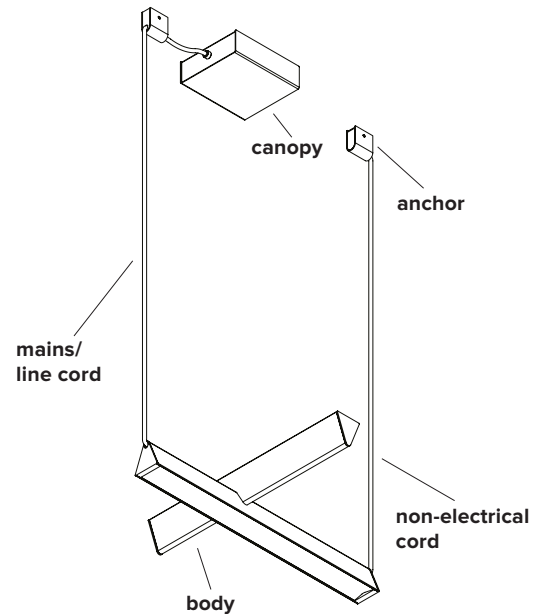
* Specific CCT selection only available in 100K increments, from 2200K to 4000K inclusively. Not available with Dim-to-Warm feature.

FINISH



NOTES





- must be installed by an electrician
- LED may only be changed by Lambert & Fils or other authorized personnel
- not protected against liquids (refer to IP20)
- additional charges for modifications or for special orders
- please refer to maintenance sheet on website for cleaning instructions

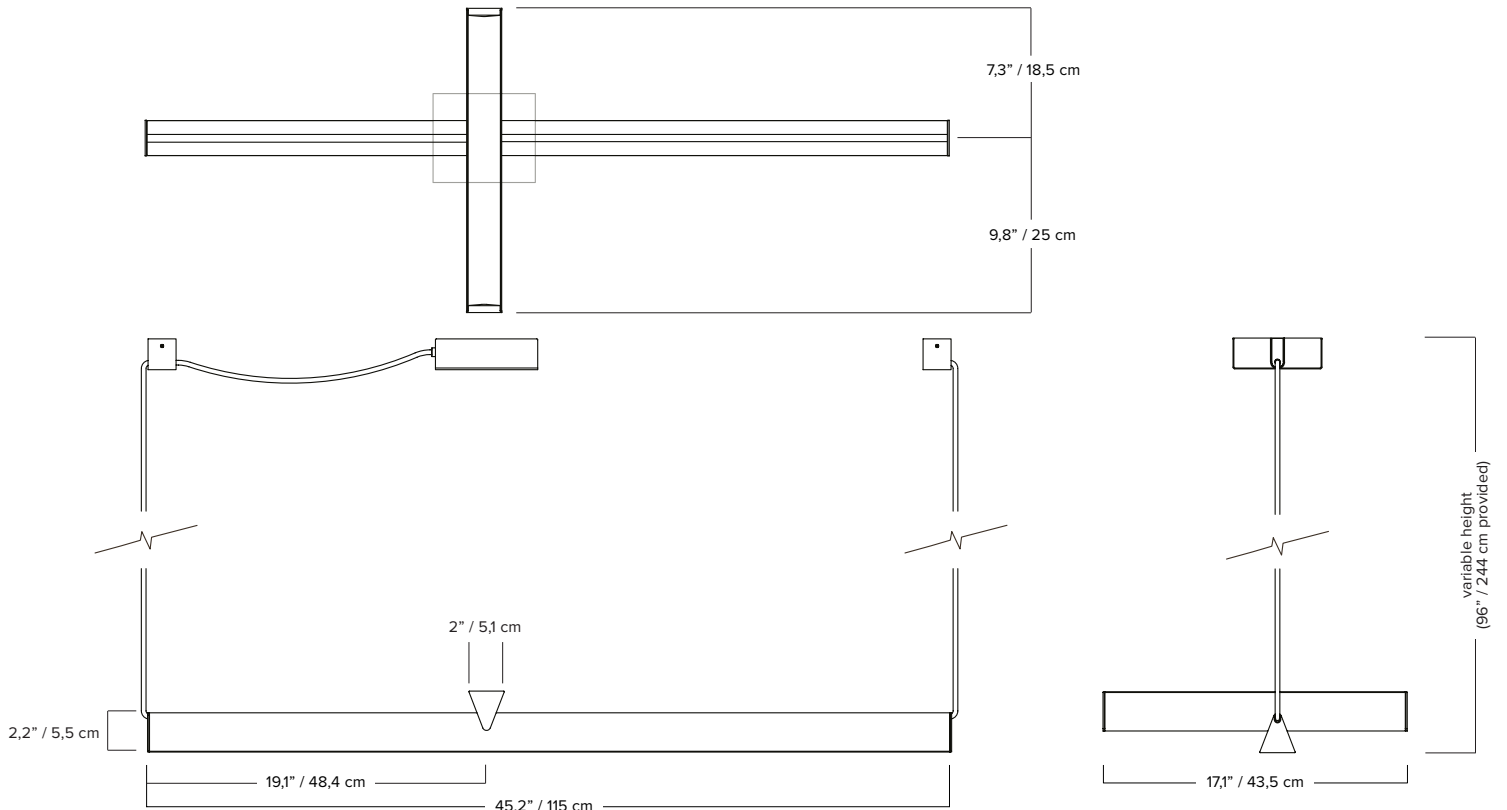




MILE 03

A collaboration between Lambert & Fils and Guillaume Sasseville, Mile offers a variation on the linear suspension, pared down to its simplest, asymmetrical expression, with two lines floating in surprising equilibrium. Direct and indirect light are separated by a 90° pivot, thus marking out space with light. A play on contrasts, Mile is part art installation and part utilitarian light. The use of linear LED technology and the cords clamped into the structure add to the weightless, almost levitating feel of the lamp.

- type:** suspension
- construction:** powder coated or polished aluminum body
powder coated or polished steel anchors
powder coated steel canopy
frosted acrylic diffuser
polyester cord
- specifications:** source: LED array, integrated
power consumption: 31W (120V), 27W (230V)
lumen output: LED 2700K - 2329lm (120V), 2038lm (230V)
LED 3000K - 2400lm (120V), 2100lm (230V)
light distribution: 26% Up, 74% Down
colour rendering index: ≥ 90 CRI
colour consistency: 3 SDCM
expected lifetime: $\geq 50\ 000$ h
- control:** 120/277V on/off, 0-10V or phase dimming (120V only)
220-240V: On/Off, Phase Dimming, DALI
refer to our recommended list of dimmer models
- cord length:** mains/line cord - 120" / 304 cm
non-electrical cord - 96" / 244 cm
- weight:** 5.5 lb / 2.5 kg
- certifications:**     IP20
- warranty:** 2 years



*dimensions are approximate and may vary slightly

ORDER GUIDE: SKU

| COLLECTION | MODEL | BODY, CORD AND ANCHOR | | CANOPY | | COLOUR TEMPERATURE (CCT) | | DIMMING | |
|------------|--------------|-----------------------|--------------------|--------------------|--|--------------------------------------|--|---------|--|
| MIL | Mile | 03 LV | BK black | BK black | WL warm light (2700K) | ZT 0-10V dimming (120V only) | | | |
| | | | BG beige | BG beige | NL neutral light (3000K) | PH phase dimming | | | |
| | | | BU burgundy | BU burgundy | D27 dim to warm (2700K to 2200K) | DA DALI (230V only) | | | |
| | | | GN green | GN green | D30 dim to warm (3000K to 2200K) | | | | |
| | | | WH white | WH white | CCT other CCT available upon request* | | | | |
| | | | AL aluminum | | | | | | |
| MIL | 03 LV | BK | BK | WL | ZT | = MIL03LVBKKBKWLZT example | | | |

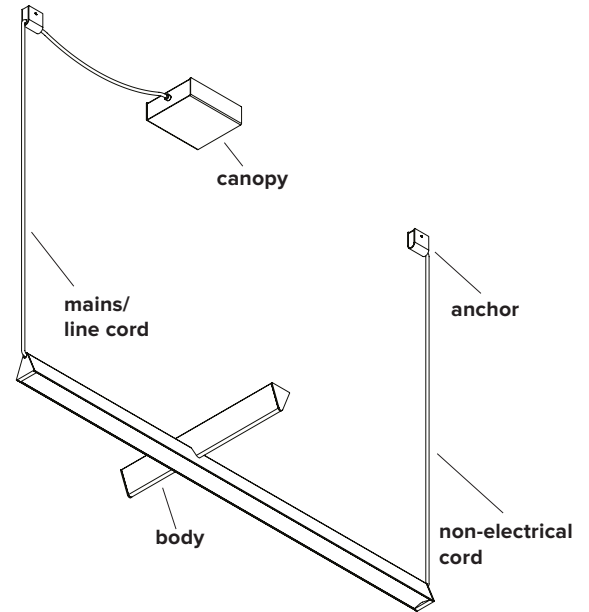
* Specific CCT selection only available in 100K increments, from 2200K to 4000K inclusively. Not available with Dim-to-Warm feature.

FINISH



NOTES

- must be installed by an electrician
- LED may only be changed by Lambert & Fils or other authorized personnel
- not protected against liquids (refer to IP20)
- additional charges for modifications or for special orders
- please refer to maintenance sheet on website for cleaning instructions





MILE 04

A collaboration between Lambert & Fils and Guillaume Sasseville, Mile offers a variation on the linear suspension, pared down to its simplest, asymmetrical expression, with two lines floating in surprising equilibrium. Direct and indirect light are separated by a 90° pivot, thus marking out space with light. A play on contrasts, Mile is part art installation and part utilitarian light. The use of linear LED technology and the cords clamped into the structure add to the weightless, almost levitating feel of the lamp.

type: suspension

construction: powder coated or polished aluminum body
powder coated or polished steel anchors
powder coated steel canopy
frosted acrylic diffuser
polyester cord

specifications: source: LED array, integrated

| power consumption: | 120V | 230V |
|--------------------|------|------|
| A | 24W | 27W |
| B | 34W | 40W |
| C | 40W | |

lumen output:

| | | | |
|----------|-----------|--------|--------|
| A | LED 2700K | 1839lm | 2077lm |
| | LED 3000K | 1896lm | 2140lm |
| B | LED 2700K | 2706lm | 3157lm |
| | LED 3000K | 2709lm | 3255lm |
| C | LED 2700K | 3169lm | |
| | LED 3000K | 3267lm | |

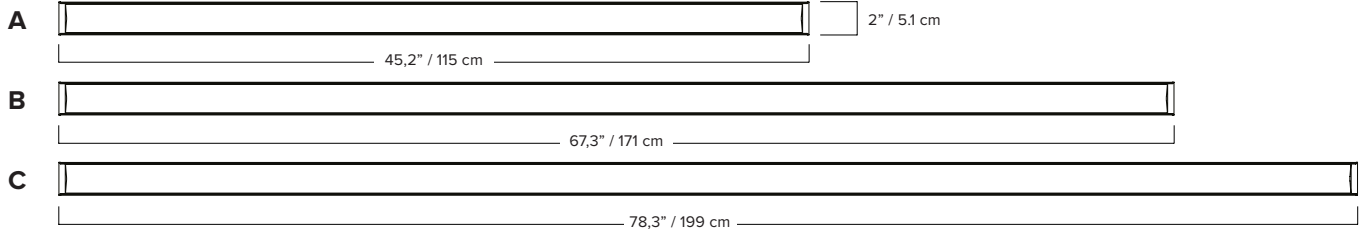
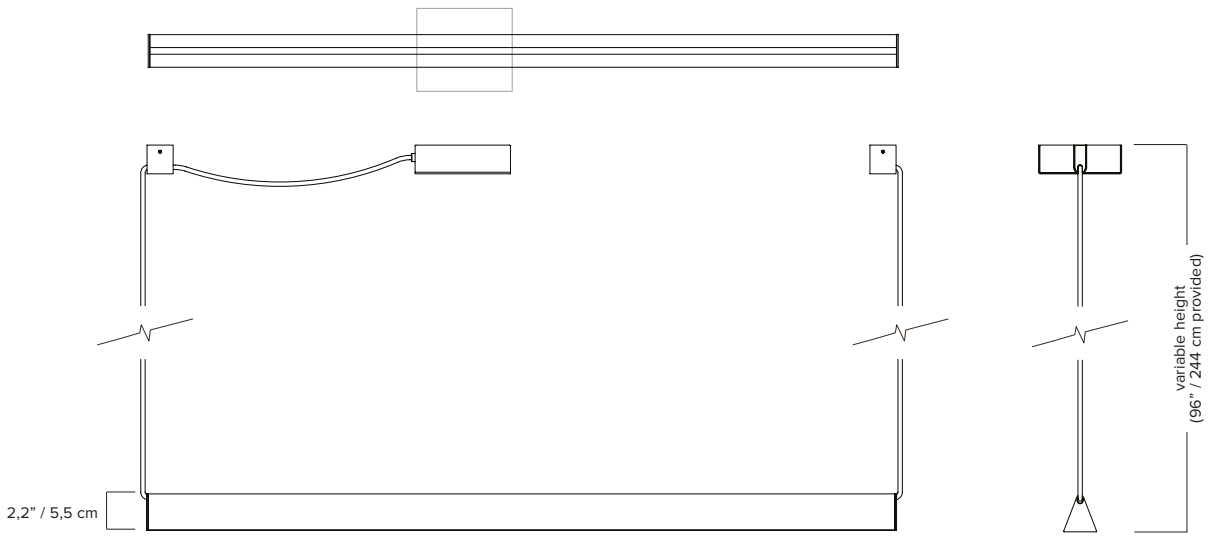
control: 120/277V on/off, 0-10V or phase dimming (120V only)
220-240V: On/Off, Phase Dimming, DALI
refer to our recommended list of dimmer models

cord length: mains/line cord - 120" / 304 cm
non-electrical cord - 96" / 244 cm

weight: A - 3.7 lb - 1.7 kg / B - 4.4 lb - 2 kg / C - 5.2 lb - 2.3 kg

certifications:    

warranty: 2 years



ORDER GUIDE: SKU

| COLLECTION | MODEL | BODY, CORD AND ANCHOR | | CANOPY | | COLOUR TEMPERATURE (CCT) | | DIMMING | | |
|------------|--------|-----------------------|----|----------|----|--------------------------|-----|-----------------------------------|-------------------------------|---------------------------|
| MIL | Mile | 04A LV | BK | black | BK | black | WL | warm light (2700K) | ZT | 0-10V dimming (120V only) |
| | | 04B LV | BG | beige | BG | beige | NL | neutral light (3000K) | PH | phase dimming |
| | | 04C LV | BU | burgundy | BU | burgundy | D27 | dim to warm (2700K to 2200K) | DA | DALI (230V only) |
| | | | GN | green | GN | green | D30 | dim to warm (3000K to 2200K) | | |
| | | | WH | white | WH | white | CCT | other CCT available upon request* | | |
| | AL | aluminum | | | | | | | | |
| MIL | 04A LV | BK | | BK | | WL | | ZT | = MIL04ALVBKWKWLZT example | |

* Specific CCT selection only available in 100K increments, from 2200K to 4000K inclusively. Not available with Dim-to-Warm feature.

FINISH



NOTES

- must be installed by an electrician
- LED may only be changed by Lambert & Fils or other authorized personnel
- not protected against liquids (refer to IP20)
- additional charges for modifications or for special orders
- please refer to maintenance sheet on website for cleaning instructions

