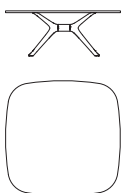
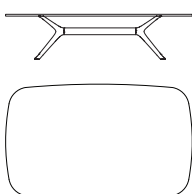






		width	height	depth	unit weight kg.
4095		80	40	80	15,000
4096		130	40	80	23,000

packaging	quantity	weight kg.	volume m ³	dimensions
4095	1 top	20.000	0.072	85x10x85
	1 leg	6.120	0.128	45x45x63
4096	1 top	26.000	0.115	135x10x85
	1 leg	6.000	0.128	45x45x63

4095 / 4096

Leg

Transparent

C/crystal-chrome



G/crystal-bronze



Top

Transparent

2/pink



4/yellow



5/green



6/smoke



3/bronze



Material

Frame: transparent thermoplastic technopolymer

Connecting pipe: galvanized or metallized aluminum

Top: laminated crystal