

3000 NJORD

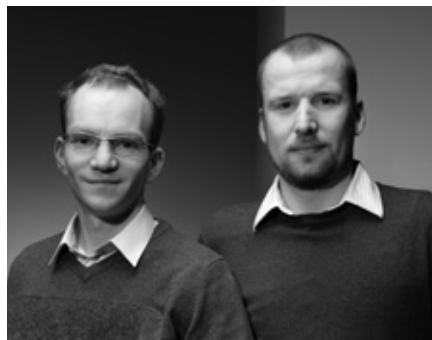
DESIGN BY
SCAFFIDI & JOHANSEN

Straight lines with delicate curves. You can tell at first glance that Njord is rather exceptional! The material wood is worked into an unusually slender frame. The seat shell, entirely made of anthracite polyester felt, seduces with its organic design and the soft touch of its materiality. Four internationally recognised design awards provide convincing proof that the Njord armchair stands out above the rest.



CONTENT

Variations	2
Product data	3
Materials, finishes	4
Solutions	5
Quality, sustainability	6
References	7



Antonio Scaffidi and Mads K. Johansen both graduated from the Danish Design School in Copenhagen. Whereas Antonio Scaffidi benefits from the symbiosis between his fiery Italian temperament and Nordic culture, Mads K. Johansen was driven by his artistic passion as cabinet maker. Their creative process is centered around flawless efficiency and design as comprehensible visualization. Mads K. Johansen's life journey ended in autumn 2014.

VARIATIONS

ARMCHAIR

An eye-catching design with a new level of comfort. As light as a side chair. The seat shell moulds to the body, offering the comfort level of an armchair. Optionally available with an upholstered seat pad.



SEAT HEIGHT

- 45 cm with a gently inclined seat for use with standard-issue tables
- Optionally 42 cm as lounge armchair



COFFEE TABLE

This coffee table is both an elegant and functional complement to the armchairs.



PRODUCT DATA

ARMCHAIR / COFFEE TABLE



Seat shell polyester felt


3000/4

Seat shell polyester felt, upholstered seat pad

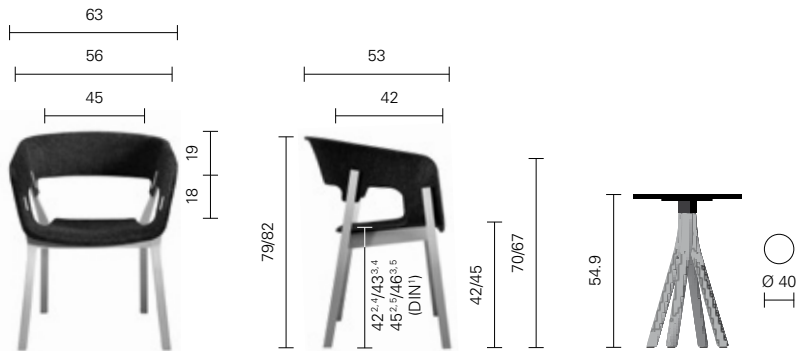
3002/4

Coffee table
Table top

3005/6

 Full core material black, black HPL finish, 16 mm

DIMENSIONS



¹ The DIN seat height was determined acc. to DIN EN 1335-1, i.e. the seat height measured by means of a measuring device at the position of the ischial tuberosity (sitting bones) after having placed a load of 50 kg on the half width of the seat.

² unupholstered

³ upholstered

⁴ for model height of 79 cm

⁵ for model height of 82 cm

Weight armchair:

4.5 – 5.0 kg depending on model

STACKABILITY

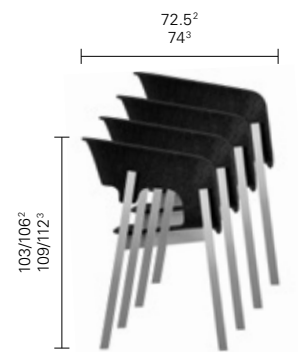
- Stackable on dolly 1011/8: 4 units
- Stackable on dolly 3980/8: 4 units
- Stackable on dolly 3880/8: 4 units

STACKING UNUPHOLSTERED

- 4 units recommended
- Height plus 8 cm per stacking armchair
- Depth plus 6.5 cm per stacking armchair

STACKING UPHOLSTERED

- 4 units recommended
- Height plus 10 cm per stacking armchair
- Depth plus 7 cm per stacking armchair



² unupholstered
³ upholstered

MATERIALS, FINISHES

ARMCHAIR

SEAT SHELL

- Polyester felt
- Available with upholstered seat pad, fabric from standard collection
- Upholstered seat pad optionally available with flame retardant foam resp. flame retardant foam and fireproof fabric

FRAME

- Natural beech or stained acc. to standard collection
- Natural oak or stained acc. to standard collection

GLIDES

- Plastic glides
- Felt glides
- Metal glides
- Protect glides

CLEANING

Owing to the fact that the material polyester felt is non-absorbent and liquids are not able to soak through this material, it is possible to remove liquid and solid stains without residues.

COFFEE TABLE

TABLE TOP

- Full core material HPL black, low flammability

FRAME

- Natural beech or stained acc. to standard collection
- Natural oak or stained acc. to standard collection
- Fixing plate, RAL 9005 jet black powder coated

GLIDES

- Plastic glides
- Felt glides
- Metal glides



FELT ARMCHAIR



Seat shell
polyester felt
anthracite

TABLE TOP COFFEE TABLE



Z 22,4 kg/m²

VK-HPL/16 mm
Full core material black,
HPL finish black,
flame retardant.

BEECH STAINS K



natural beech

maple
K 01

cream
K 04



tobacco
K 02

terra
K 03

sienna
K 10 (P 10)



puce
K 11 (P 11)

BEECH STAINS S



white
S 40

lemon
S 33

tangerine
S 34



strawberry
S 35

maroon
S 32

kiwi
S 36



midnight blue
S 38

light grey
S 39

black
S 10

OAK STAINS K



natural oak

cognac oak
K 45 (P 45)

solid oak
K 43 (P 43)



lounge oak
K 44 (P 44)

noce oak
K 46 (P 46)

light oak
K 50



dark oak
K 51

SOLUTIONS

EXCERPT

FIRE PREVENTION

Depending on the environment, contract seating has to be able to fulfil very specific requirements. Interior designers and planners sometimes have to clear difficult hurdles: such as exacting fire prevention regulations. Kusch+Co has worked out individual solutions:

WOODEN PARTS

As standard, wooden parts are protected by a UV curing, environmentally harmless, water-based lacquer meeting all the requirements of "low flammability" acc. to DIN EN 13501 C s2 d0.

For more information, we refer to our brochure "Solutions" – please contact us to receive your copy.

SEAT SHELL

The felt seat shell meets the standard DIN EN 1021 part 1/2.

UPHOLSTERY

The upholstered pads are optionally available with flame retardant foam. In addition, they are available with the Kusch+Co Fire Prevention Concept, consisting of a special fabric "flamline" (approved by the building authorities and conforms to DIN 4102 A2 non-flammable) between the upholstery foam and the fabric.

This concept achieves four life-saving objectives. The seating:

- is self-extinguishing
- reduces the smoke development
- prevents an incipient fire from spreading out
- does not turn into an additional ignition source.

Test reports in compliance with national and international standards document the laboratory fire tests conducted on different series finished with a wide variety of materials.

With regard to the upholstery, e.g. with leather, artificial leather as well as many textile fabrics, or to our unupholstered variations featuring a plywood, laminated or plastic seat shell, most of our series meet the following standards:

- Germany: DIN 66084 P-a
- France: NFD 60013
- Great Britain: BS 5852 Crib 5
- Italy: UNI 9176
- Europe: DIN EN 1021 part 1/2

TABLE TOPS

Table tops made of HPL full core material are flame retardant.

Please contact us if you wish to receive the test reports.

QUALITY, SUSTAINABILITY

EXCERPT

QUALITY

Our environmental and quality management systems are certified acc. to DIN EN ISO 14001 and to DIN EN ISO 9001. External audits as well as our in-house laboratory safeguard our quality level.

All variations of series 3000 Njord meet the requirements with regard to stability, static and dynamic load as well as strength and durability in compliance with the current European Directives, standards and regulations.

On top of this, we test most of our contract seating with higher loads and cycles. On request, we conduct individual tests acc. to the customer's specifications.

The coffee table 3000 Njord meets the requirements with regard to stability, static and dynamic load as well as strength and durability in compliance with the current European Directives, standards and regulations.

In our capacity as a DIN EN ISO 9001 certified company, we are authorised to test in our own laboratory whether our products meet the GS requirements for Tested Product Safety and issue a Declaration of Conformity equivalent to a GS sign.

We happily make these Declarations of Conformity as well as our brochure "Mission Statement Quality" providing detailed information on our test procedures available to you – please contact us.



SUSTAINABILITY

Kusch+Co products stand for long life cycles and optimum recyclability. From the first design drafts of a new product, we take all environmental-relevant components and production processes into consideration, ranging from the materials selection and the design all the way to the manufacturing processes which also contribute towards our sustainable energy balance.

DQS-certified Environmental Product Declarations are available for all series, compiled conform to DIN EN ISO 14021 Type II, providing more information about all environmentally relevant aspects, including the Credit Points for the LEED certification of a building. Please contact us for more information.



kusch+co

3000 NJORD

ENVIRONMENTAL ASPECTS

ENVIRONMENTAL RESPONSIBILITY

Long before the production of a new series, Kusch+Co starts thinking about the possible environmental impact of the production processes and the required components.

SUSTAINABILITY

Kusch+Co understands sustainability as the realistic, measurable and economically viable combination of environmental protection, ergonomics and CSR, not only in terms of production, but also in how we communicate with the public, meet our staff members and partners. Sustainability cannot be measured, but it can be learned.

QUALITY ASSURANCE

In order to guarantee a consistent high-level product quality, Kusch+Co is certified in accordance with the quality management system DIN EN ISO 9001 and the environmental management system DIN EN ISO 14001. We offer a 2-year warranty as standard.

LIFE CYCLE

MATERIALS

- The models of series 3000 Njord are free from hazardous materials (lead, mercury, etc.).
- All components of series 3000 Njord comply with the legal PAH standards.
- Kusch+Co uses CR-C and formaldehyde-free foam only for the seats of the "Solo" and "Standard" 102.
- To the greatest possible extent, we use aqueous dispersion adhesives free from organic solvents to glue the foam seats to the seat shells/seat. Smaller amounts of solvent-based adhesives are only permitted for technical reasons, however, direct contact with the skin is impossible.
- All wood products originate from sustainable, legal and verified sources.
- Series 3000 Njord contains no substances included on the candidates list for restriction according to § 27 of Regulation (EC) No. 1907/2006 (REACH).

WASTE MANAGEMENT

All types of process waste (fabric remnants, foam, metal) used are collected by professional waste processing companies and 100% recycled. All metal residues, resulting from wood working, are sent to the factory, leaving precious heating oil.

LACQUER FINISH ON WOOD

Through the use of UV-curing water-based lacquers in combination with a new lacquering line featuring a paraffin-free water-based electronic curing system (since April 2016), we were able to reduce the emissions in particular minimum. On top of this, our paraffin-free lacquers have been certified with a dry film thickness system, and saving energy and water. The dry film thickness is certified by Interwatt. Approximately 20 tonnes of packaging material is recycled every year.

USAGE

A long service life is guaranteed with most parts being interchangeable and reparable. That is our contribution to an efficient resource management.

WASTE DISPOSAL

At the end of their service life, the models of series 3000 Njord can be dismantled by our professional partners who sort and separate the materials correctly by type.

• The models of series 3000 Njord are recyclable to approx. 86%.

• The recyclability is located in adhesives, grease, oil, small parts and screws.

TRANSPORTATION

- The transportation energy is offset by the renewable packaging.
- The packaging material is reused before it is recycled.
- Kusch+Co's local disposal system

Kusch+Co GmbH & Co. KG | P.O. Box 1101 | 18865 Habelberg | Germany | T +49 2984 300-0 | F +49 2984 2064 100-10 | info@kusch.com | www.kusch.com

REFERENCES

EXCERPT

BRAZIL

- Facebook, São Paulo

CHINA

- Miele House, Shanghai

DENMARK

- Uformel, Copenhagen

GERMANY

- Centre for Creative Industries, Weimar
- Dorint An den Thermen, Freiburg
- Lebenshilfe Soltau e.V.
- LWL – Regional Council of Westphalia-Lippe, Münster
- MeisterWerke Schulte GmbH, Rütthen
- Rotonda Restaurant, Cologne
- Sports Association of North Rhine-Westphalia, Sports and convention centre, Hachen
- Technologie- und Gründerzentrum Freital GmbH
- Vaude Sport GmbH & Co. KG, Tettngang

GREAT BRITAIN

- Cambridge Montessori School, Cambridge

POLAND

- Viessmann Sp.z.o.o., Wroclaw

SWITZERLAND

- Hospital St. Georg, Goldach

USA

- Boston University, Tyngsboro
- Google, Carlstadt
- Kilachand Honors College, Boston
- Mylan Southpointe, Mc Kees Rocks
- Princeton University, Edison



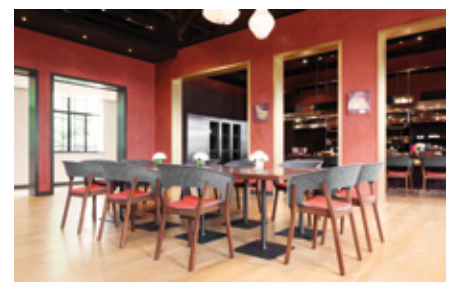
Rotonda Restaurant, Cologne



Uformel, Copenhagen



Dorint An den Thermen, Freiburg



Miele House, Shanghai

